

PARTS LIST

CAUTION

- The parts identified by the \triangle symbol are important for the safety. Whenever replacing these parts, be sure to use specified ones to secure the safety.
- The parts not indicated in this Parts List and those which are filled with lines — in the Parts No. columns will not be supplied.
- P. W. Board Ass'y will not be supplied, but those which are filled with the Parts No. in the Parts No. columns will be supplied.

ABBREVIATIONS OF RESISTORS, CAPACITORS AND TOLERANCES

RESISTORS		CAPACITORS	
C R	Carbon Resistor	C CAP.	Ceramic Capacitor
F R	Fusible Resistor	E CAP.	Electrolytic Capacitor
P R	Plate Resistor	M CAP.	Mylar Capacitor
V R	Variable Resistor	HV CAP.	High Voltage Capacitor
HV R	High Voltage Resistor	MF CAP.	Metalized Film Capacitor
MF R	Metal Film Resistor	MM CAP.	Metalized Mylar Capacitor
MG R	Metal Glazed Resistor	MP CAP.	Metalized Polystyrol Capacitor
MP R	Metal Plate Resistor	PP CAP.	Polypropylene Capacitor
OM R	Metal Oxide Film Resistor	PS CAP.	Polystyrol Capacitor
CMF R	Coating Metal Film Resistor	TF CAP.	Thin Film Capacitor
UNF R	Non-Flammable Resistor	MPP CAP.	Metalized Polypropylene Capacitor
CH V R	Chip Variable Resistor	TAN. CAP.	Tantalum Capacitor
CH MG R	Chip Metal Glazed Resistor	CH C CAP.	Chip Ceramic Capacitor
COMP. R	Composition Resistor	BP E CAP.	Bi-Polar Electrolytic Capacitor
LPTC R	Linear Positive Temperature Coefficient Resistor	CH AL E CAP.	Chip Aluminum Electrolytic Capacitor
		CH AL BP CAP.	Chip Aluminum Bi-Polar Capacitor
		CH TAN. E CAP.	Chip Tantalum Electrolytic Capacitor
		CH AL BP E CAP.	Chip Tantalum Bi-Polar Electrolytic Capacitor

TOLERANCES									
F	G	J	K	M	N	R	H	Z	P
±1%	±2%	±5%	±10%	±20%	±30%	+30% -10%	+50% -10%	+80% -20%	+100% -0%

CONTENTS

- USING PW BOARD & REMOTE CONTROL UNIT 32
- EXPLODED VIEW PARTS LIST 33, 34
- EXPLODED VIEW 33, 35
- PRINTED WIRING BOARD PARTS LIST

AV32L5EKG

- MAIN PW BOARD ASS'Y 36
- POWER & DEF. PW BOARD ASS'Y 38
- CRT SOCKET PW BOARD ASS'Y 40
- FRONT CONTROL PW BOARD ASS'Y 41
- SIDE CONTROL PW BOARD ASS'Y 41
- MICON PW BOARD ASS'Y 42
- AV SW PW BOARD ASS'Y 43
- 100Hz PW BOARD ASS'Y 44

AV32L5EIG

- MAIN PW BOARD ASS'Y 46
- POWER & DEF. PW BOARD ASS'Y 48
- CRT SOCKET PW BOARD ASS'Y 48
- FRONT CONTROL PW BOARD ASS'Y 48
- SIDE CONTROL PW BOARD ASS'Y 48
- MICON PW BOARD ASS'Y 48
- AV SW PW BOARD ASS'Y 48
- 100Hz PW BOARD ASS'Y 48

- REMOTE CONTROL UNIT PARTS LIST 49
- PACKING 50
- PACKING PARTS LIST 50

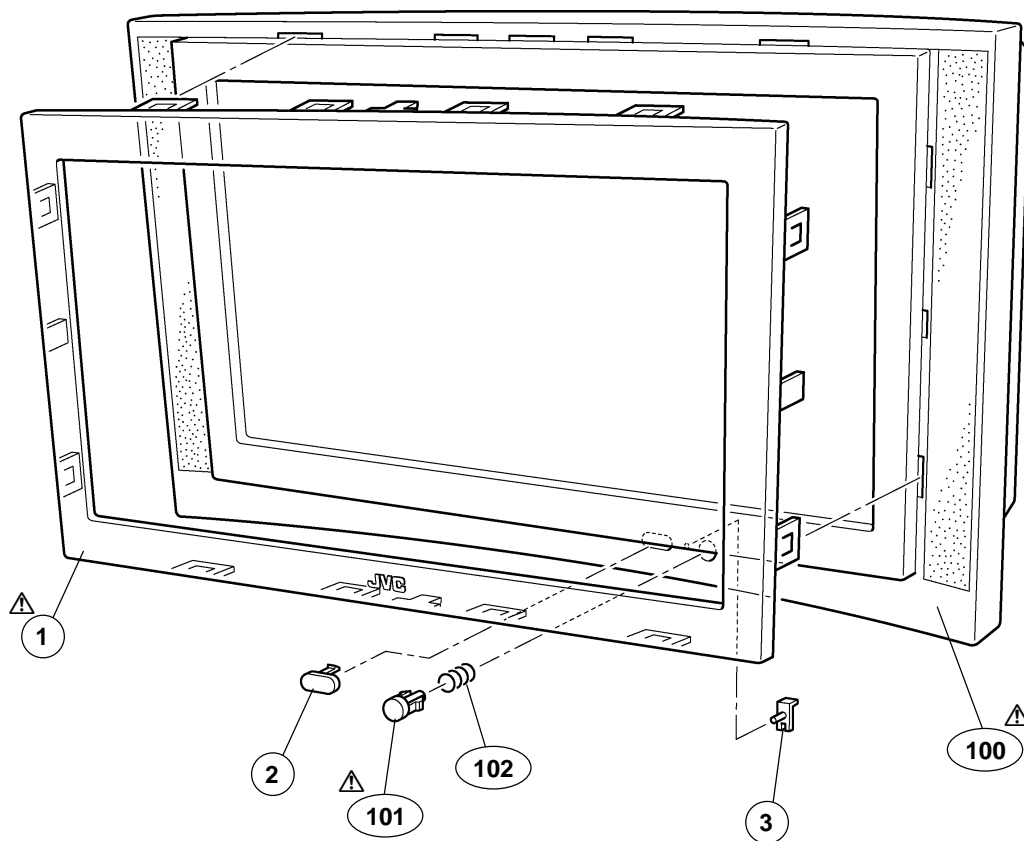
USING PW BOARD & REMOTE CONTROL UNIT

Model	AV32L5EKG	AV32L5EIG
PWB ASS'Y		
MAIN PWB	SMF-1901A-U2	SMF-1001A-U2
POWER & DEF. PWB	SMF-2002A-U2	←
CRT SOCKET PWB	SMF-3001A-U2	←
FRONT CONTROL PWB	SMF-8008A-U2	←
SIDE CONTROL PWB	SMF-8108A-U2	←
MICON PWB	SMF0M001A-U2	←
AV SW PWB	SMF0S001A-U2	←
100Hz PWB	SMF0Z003A-U2	←
REMOTE CONTROL UNIT	RM-C56-2C	←

EXPORTED VIEW PARTS LIST (1)

△ Ref.No.	Part No.	Part Name	Description
AV32L5EKG / AV32L5EIG			
△ 1	LC10851-002B-U	FRONT PANEL	
2	LC31203-001B-C	REMOCON WINDOW	
3	LC31202-001A-C	L.E.D.LENS	
△ 100	LC10854-001C-U	FRONT CABI ASSY	Inc.No.101~102
△ 101	LC31201-002A-U	POWER KNOB	(SERVICE)
102	AEM3149-001-E	SPRING	

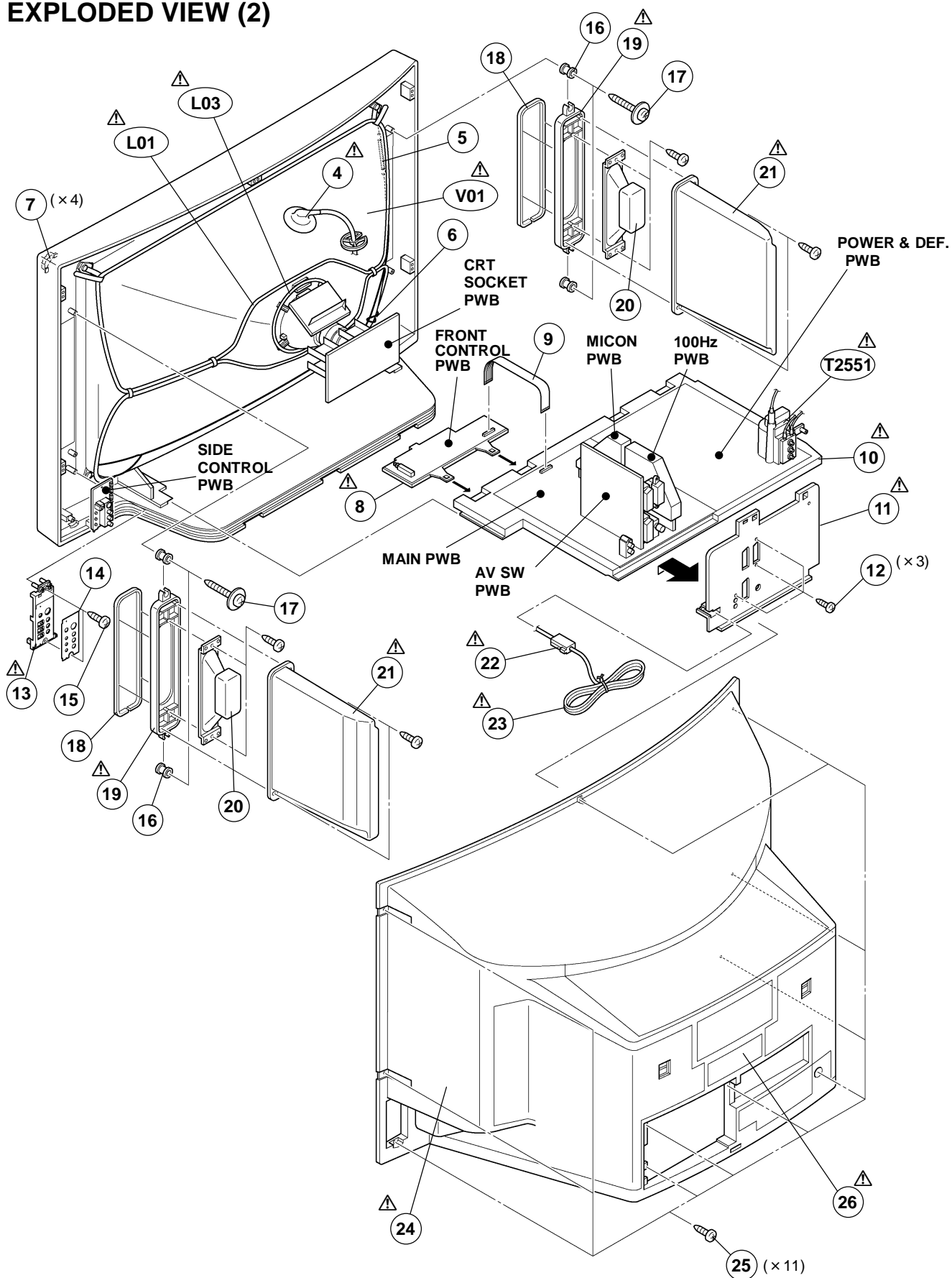
EXPLODED VIEW (1)



EXPLODED VIEW PARTS LIST (2)

△ Ref.No.	Part No.	Part Name	Description
AV32L5EKG / AV32L5EIGY			
△ V01	W76ERF041X044	CRT	Inc.DY,PC MAGNET, WEDGE
△ L01	QQW0066-001	DEG.COIL	
△ L03	CELD904-001	ROTATION COIL	
△ T2551	QQH0091-002-I2	FBT	(SERVICE)With ANODE WIRE
△ 4	QNZ0369-001	ANODE WIRE	
5	WJY0001-010A	BRAIDED ASSY	
6	WJY0013-002A	BRAIDED SUB ASSY	
7	LC20508-001D-U	ADAPTER	(×4)
△ 8	LC11009-002A-U	CONTROL BASE	
9	CHFD125-18BD	FFC WIRE	
△ 10	LC10716-002F-U	CHASSIS BASE	
△ 11	LC10717-006B-U	TERMINAL BOARD	
12	QYSBSB3012M	TAPPING SCREW	(×3)
△ 13	LC10856-001C-U	SIDE CONT BASE	
14	LC31205-002A-U	CONTROL SHEET	
15	QYSBSAG4016N	TAPPING SCREW	(×1)For SIDE CONT.BASE
16	AEM4087-001-E	BUSHING	(×4)
17	LC40506-001A	TAPPING SCREW	(×4)
18	AEM3029-A16-E	STICK SHEET	(×4)
△ 19	LC11017-001A-U	SPEAKER ADAPTER	(×2)
20	QAS0072-001	SPEAKER	(×2)SP01,SP02
△ 21	LC10858-001B-U	SPEAKER BOX	(×2)
△ 22	CM46618-A01-E	POWER CORD CLAMP	
△ 23	QMPN130-185-JC	POWER CORD	(CN-PW)
△ 24	LC10853-002E-U	REAR COVER	
25	QYSBSAG4016N	TAPPING SCREW	(×11)For REAR COVER
△ 26	LC20091-024A-U	RATING LABEL	[AV32L5EKG]
△ 26	LC20091-042A-U	RATING LABEL	[AV32L5EIGY]

EXPLODED VIEW (2)



AV32L5EKGY

PRINTED WIRING BOARD PARTS LIST

■ MAIN P.W. BOARD ASS'Y (SMF-1901A-U2)

△ Symbol No.	Part No.	Part Name	Description
--------------	----------	-----------	-------------

RESISTOR

R1002-03	NRSA63J-473X	MG R	47kΩ 1/16W J
R1004-05	NRSA63J-101X	MG R	100Ω 1/16W J
R1101	NRSA63J-102X	MG R	1kΩ 1/16W J
R1102	NRSA63J-181X	MG R	180Ω 1/16W J
R1103	NRSA63J-222X	MG R	2.2kΩ 1/16W J
R1104	NRSA63J-102X	MG R	1kΩ 1/16W J
R1105	NRSA63J-181X	MG R	180Ω 1/16W J
R1106	NRSA63J-270X	MG R	27Ω 1/16W J
R1107	NRSA63J-271X	MG R	270Ω 1/16W J
R1108	NRSA63J-102X	MG R	1kΩ 1/16W J
R1109-11	NRSA63J-101X	MG R	100Ω 1/16W J
R1151	NRSA63J-101X	MG R	100Ω 1/16W J
R1153	NRSA63J-101X	MG R	100Ω 1/16W J
R1155	NRSA63J-101X	MG R	100Ω 1/16W J
R1157	NRSA63J-101X	MG R	100Ω 1/16W J
R1159	NRSA63J-0R0X	MG R	0.0Ω 1/16W J
R1161	NRSA63J-0R0X	MG R	0.0Ω 1/16W J
R1301-02	NRSA63J-101X	MG R	100Ω 1/16W J
R1303	NRSA63J-273X	MG R	27kΩ 1/16W J
R1304	NRSA63J-0R0X	MG R	0.0Ω 1/16W J
R1311	NRSA63J-331X	MG R	330Ω 1/16W J
R1312	NRSA63J-273X	MG R	27kΩ 1/16W J
R1313	NRSA63J-183X	MG R	18kΩ 1/16W J
R1314	NRSA63J-221X	MG R	220Ω 1/16W J
R1315-17	NRSA63J-101X	MG R	100Ω 1/16W J
R1318	NRSA63J-562X	MG R	5.6kΩ 1/16W J
R1319	NRSA63J-183X	MG R	18kΩ 1/16W J
R1321-22	NRSA63J-0R0X	MG R	0.0Ω 1/16W J
R1401-02	NRSA63J-102X	MG R	1kΩ 1/16W J
R1403-04	NRSA63J-331X	MG R	330Ω 1/16W J
R1405-06	NRSA63J-102X	MG R	1kΩ 1/16W J
R1451	NRSA63J-821X	MG R	820Ω 1/16W J
R1454	NRSA63J-472X	MG R	4.7kΩ 1/16W J
R1455-56	NRSA63J-123X	MG R	12kΩ 1/16W J
R1457	NRSA63J-392X	MG R	3.9kΩ 1/16W J
R1458	NRSA63J-123X	MG R	12kΩ 1/16W J
R1459	NRSA63J-472X	MG R	4.7kΩ 1/16W J
R1461	NRSA63J-123X	MG R	12kΩ 1/16W J
R1462	NRSA63J-153X	MG R	15kΩ 1/16W J
R1463	NRSA63J-124X	MG R	120kΩ 1/16W J
R1464	QRE141J-563Y	C R	56kΩ 1/4W J
R1465-66	NRSA63J-224X	MG R	220kΩ 1/16W J
R1467	NRSA63J-563X	MG R	56kΩ 1/16W J
R1468	NRSA63J-224X	MG R	220kΩ 1/16W J
R1469	NRSA63J-683X	MG R	68kΩ 1/16W J
R1470	NRSA63J-223X	MG R	22kΩ 1/16W J
R1471	NRSA63J-273X	MG R	27kΩ 1/16W J
R1472	NRSA63J-682X	MG R	6.8kΩ 1/16W J
R1473	NRSA63J-123X	MG R	12kΩ 1/16W J
R1474	NRSA63J-563X	MG R	56kΩ 1/16W J
R1475	NRSA63J-153X	MG R	15kΩ 1/16W J
R1476-78	NRSA63J-123X	MG R	12kΩ 1/16W J
R1479	NRSA63J-154X	MG R	150kΩ 1/16W J
R1480	NRSA63J-823X	MG R	82kΩ 1/16W J
R1481	NRSA63J-472X	MG R	4.7kΩ 1/16W J
R1482	NRSA63J-272X	MG R	2.7kΩ 1/16W J
R1483	NRSA63J-472X	MG R	4.7kΩ 1/16W J
R1484	NRSA63J-473X	MG R	47kΩ 1/16W J
R1485	NRSA63J-123X	MG R	12kΩ 1/16W J
R1486	NRSA63J-472X	MG R	4.7kΩ 1/16W J
R1487	NRSA63J-333X	MG R	33kΩ 1/16W J
R1489	NRSA63J-333X	MG R	33kΩ 1/16W J
R1491	NRSA63J-332X	MG R	3.3kΩ 1/16W J
R1492	NRSA63J-562X	MG R	5.6kΩ 1/16W J
R1501	NRSA63J-0R0X	MG R	0.0Ω 1/16W J
R1504	NRSA63J-102X	MG R	1kΩ 1/16W J

△ Symbol No.	Part No.	Part Name	Description
--------------	----------	-----------	-------------

RESISTOR

R1511	NRSA63J-152X	MG R	1.5kΩ 1/16W J
R1512	NRSA63J-332X	MG R	3.3kΩ 1/16W J
R1521	NRSA63J-223X	MG R	22kΩ 1/16W J
R1522	NRSA63J-562X	MG R	5.6kΩ 1/16W J
R1551	NRSA63J-100X	MG R	10Ω 1/16W J
R1552	NRSA63J-124X	MG R	120kΩ 1/16W J
R1553	NRSA63J-683X	MG R	68kΩ 1/16W J
R1554	NRSA63J-562X	MG R	5.6kΩ 1/16W J
R1555	NRSA63J-333X	MG R	33kΩ 1/16W J
R1556	NRSA63J-472X	MG R	4.7kΩ 1/16W J
R1557	NRSA63J-562X	MG R	5.6kΩ 1/16W J
R1558	NRSA63J-104X	MG R	100kΩ 1/16W J
R1559	NRSA63J-154X	MG R	150kΩ 1/16W J
R1560	NRSA63J-100X	MG R	10Ω 1/16W J
R1561	QRN143J-0R0X	C R	0.0Ω 1/4W J
R1562	NRSA63J-683X	MG R	68kΩ 1/16W J
R1563	NRSA63J-103X	MG R	10kΩ 1/16W J
R1564	NRSA63J-223X	MG R	22kΩ 1/16W J
R1565	NRSA63J-562X	MG R	5.6kΩ 1/16W J
R1591	NRSA63J-561X	MG R	560Ω 1/16W J
R1592	NRSA63J-332X	MG R	3.3kΩ 1/16W J
R1601	NRSA63J-273X	MG R	27kΩ 1/16W J
R1602	NRSA63J-103X	MG R	10kΩ 1/16W J
R1603	NRSA63J-273X	MG R	27kΩ 1/16W J
R1604	NRSA63J-103X	MG R	10kΩ 1/16W J
R1605	NRSA63J-473X	MG R	47kΩ 1/16W J
R1606	NRSA63J-273X	MG R	27kΩ 1/16W J
R1609	NRSA63J-104X	MG R	100kΩ 1/16W J
R1610	NRSA63J-682X	MG R	6.8kΩ 1/16W J
R1618	NRSA63J-333X	MG R	33kΩ 1/16W J
R1619	NRSA63J-104X	MG R	100kΩ 1/16W J
R1620	NRSA63J-562X	MG R	5.6kΩ 1/16W J
R1631	NRSA63J-562X	MG R	5.6kΩ 1/16W J
R1632-33	NRSA63J-103X	MG R	10kΩ 1/16W J
R1634	NRSA63J-183X	MG R	18kΩ 1/16W J
R1635	NRSA63J-562X	MG R	5.6kΩ 1/16W J
R1636	NRSA63J-103X	MG R	10kΩ 1/16W J
R1637	QRK126J-2R2X	C R	2.2Ω 1/2W J
R1639	NRSA63J-561X	MG R	560Ω 1/16W J
R1642-43	NRSA63J-681X	MG R	680Ω 1/16W J
R1644-46	NRSA63J-104X	MG R	100kΩ 1/16W J
R1647	NRSA63J-183X	MG R	18kΩ 1/16W J
R1648	NRSA63J-562X	MG R	5.6kΩ 1/16W J
R1649	QRK126J-2R2X	C R	2.2Ω 1/2W J
R1650-51	NRSA63J-103X	MG R	10kΩ 1/16W J
R1656	NRSA63J-683X	MG R	68kΩ 1/16W J
R1657	NRSA63J-333X	MG R	33kΩ 1/16W J
R1658	NRSA63J-683X	MG R	68kΩ 1/16W J
R1659	NRSA63J-393X	MG R	39kΩ 1/16W J
R1661	NRSA63J-562X	MG R	5.6kΩ 1/16W J
R1662-63	NRSA63J-394X	MG R	390kΩ 1/16W J
R1664-65	NRSA63J-103X	MG R	10kΩ 1/16W J
R1670-71	NRSA63J-273X	MG R	27kΩ 1/16W J
R1672	NRSA63J-223X	MG R	22kΩ 1/16W J
R1673	NRSA63J-273X	MG R	27kΩ 1/16W J
R1675	NRSA63J-103X	MG R	10kΩ 1/16W J
R1677-78	NRSA63J-103X	MG R	10kΩ 1/16W J
R1679	NRSA63J-223X	MG R	22kΩ 1/16W J
R1680	NRSA63J-273X	MG R	27kΩ 1/16W J
R1681	NRSA63J-562X	MG R	5.6kΩ 1/16W J
R1682	NRSA63J-273X	MG R	27kΩ 1/16W J
R1683	NRSA63J-103X	MG R	10kΩ 1/16W J
R1684-85	NRSA63J-393X	MG R	39kΩ 1/16W J
R1686	NRSA63J-683X	MG R	68kΩ 1/16W J
R1687	NRSA63J-393X	MG R	39kΩ 1/16W J
R1688	NRSA63J-273X	MG R	27kΩ 1/16W J

△ Symbol No.	Part No.	Part Name	Description
RESISTOR			
R1689	NRSA63J-103X	MG R	10kΩ 1/16W J
R1690	NRSA63J-562X	MG R	5.6kΩ 1/16W J
R1693	NRSA63J-683X	MG R	68kΩ 1/16W J
R1694	NRSA63J-333X	MG R	33kΩ 1/16W J
R1695-96	NRSA63J-273X	MG R	27kΩ 1/16W J
R1699	NRSA63J-103X	MG R	10kΩ 1/16W J
R1701-02	NRSA63J-103X	MG R	10kΩ 1/16W J
R1705-08	NRSA63J-103X	MG R	10kΩ 1/16W J
R1711-12	NRSA63J-101X	MG R	100Ω 1/16W J
R1714-15	NRSA63J-102X	MG R	1kΩ 1/16W J
R1720-22	NRSA63J-102X	MG R	1kΩ 1/16W J
R1772-76	NRSA63J-221X	MG R	220Ω 1/16W J
R1951	QRK126J-220X	C R	22Ω 1/2W J

CAPACITOR

C1001	NCB31HK-222X	CHIP CAP.	2200pF 50V K
C1002	QETN1HM-106Z	E CAP.	10μF 50V M
C1004	NCB31CK-104X	CHIP CAP.	0.1μF 16V K
C1005	QETN1CM-108Z	E CAP.	1000μF 16V M
C1006	NCB31HK-103X	C CAP.	0.01μF 50V K
C1007	QETN1HM-106Z	E CAP.	10μF 50V M
C1009	NCB31CK-104X	CHIP CAP.	0.1μF 16V K
C1010	QETN1HM-106Z	E CAP.	10μF 50V M
C1101	NCB31CK-104X	CHIP CAP.	0.1μF 16V K
C1102	QETN1HM-106Z	E CAP.	10μF 50V M
C1103	NCB31CK-104X	CHIP CAP.	0.1μF 16V K
C1104	QETN1CM-107Z	E CAP.	100μF 16V M
C1105	QETN1HM-106Z	E CAP.	10μF 50V M
C1106-07	NCB31CK-104X	CHIP CAP.	0.1μF 16V K
C1108	NDC31HJ-680X	C CAP.	68pF 50V J
C1111	NDC31HJ-820X	C CAP.	82pF 50V J
C1112-13	NDC31HJ-470X	C CAP.	47pF 50V J
C1114	NDC31HJ-180X	C CAP.	18pF 50V J
C1115-16	NCB31HK-472X	C CAP.	4700pF 50V K
C1117-18	NCB31HK-103X	C CAP.	0.01μF 50V K
C1119-20	NDC31HJ-2R0X	C CAP.	2.0pF 50V J
C1121	NCB31HK-103X	C CAP.	0.01μF 50V K
C1122-23	NDC31HJ-102X	C CAP.	1000pF 50V J
C1124-25	QETN1HM-106Z	E CAP.	10μF 50V M
C1126	NCB31CK-104X	CHIP CAP.	0.1μF 16V K
C1127	QETN1HM-106Z	E CAP.	10μF 50V M
C1128	NCB31CK-104X	CHIP CAP.	0.1μF 16V K
C1130	QETN1HM-106Z	E CAP.	10μF 50V M
C1151-54	NCF31AZ-105X	C CAP.	1μF 10V Z
C1155-56	NDC31HJ-102X	C CAP.	1000pF 50V J
C1301	QETN1CM-107Z	E CAP.	100μF 16V M
C1302-03	NCB31CK-104X	CHIP CAP.	0.1μF 16V K
C1305-09	NCB31CK-104X	CHIP CAP.	0.1μF 16V K
C1310	QETN1AM-228Z	E CAP.	2200μF 10V M
C1311	NCB31CK-683X	CHIP CAP.	0.068μF 16V K
C1312	NDC31HJ-221X	C CAP.	220pF 50V J
C1313-15	NCB31HK-223X	CHIP CAP.	0.022μF 50V K
C1316-18	NCB31HK-103X	C CAP.	0.01μF 50V K
C1320	QETN0JM-228Z	E CAP.	2200μF 6.3V M
C1321-23	NCB31HK-223X	CHIP CAP.	0.022μF 50V K
C1324	NDC31HJ-820X	C CAP.	82pF 50V J
C1351	QENC1EM-106Z	BP E CAP.	10μF 25V M
C1401	NCB31CK-104X	CHIP CAP.	0.1μF 16V K
C1402	QETN1CM-107Z	E CAP.	100μF 16V M
C1403-04	NCB31CK-104X	CHIP CAP.	0.1μF 16V K
C1453	NCB31HK-103X	C CAP.	0.01μF 50V K
C1454	NCB31EK-333X	CHIP CAP.	0.033μF 25V K
C1455-56	NCB31CK-104X	CHIP CAP.	0.1μF 16V K
C1457	NCB31EK-333X	CHIP CAP.	0.033μF 25V K
C1458	QFV71HJ-104Z	MF CAP.	0.1μF 50V J
C1471	NCB31CK-104X	CHIP CAP.	0.1μF 16V K
C1472	NCB31HK-103X	C CAP.	0.01μF 50V K
C1473	NCB31CK-104X	CHIP CAP.	0.1μF 16V K
C1474	NCB31EK-333X	CHIP CAP.	0.033μF 25V K
C1475	NCB31CK-104X	CHIP CAP.	0.1μF 16V K
C1491	NCB31EK-473X	CHIP CAP.	0.047μF 25V K

△ Symbol No.	Part No.	Part Name	Description
CAPACITOR			
C1501-02	NDC31HJ-150X	C CAP.	15pF 50V J
C1521	NCB31HK-103X	C CAP.	0.01μF 50V K
C1551-52	NCF31CZ-224X	C CAP.	0.22μF 16V Z
C1553	QETN1EM-476Z	E CAP.	47μF 25V M
C1554-55	NCF31CZ-224X	C CAP.	0.22μF 16V Z
C1560	QETN1CM-107Z	E CAP.	100μF 16V M
C1561	NDC31HJ-561X	C CAP.	560pF 50V J
C1562	QETN1HM-105Z	E CAP.	1μF 50V M
C1564	QFV71HJ-104Z	MF CAP.	0.1μF 50V J
C1591	NDC31HJ-471X	C CAP.	470pF 50V J
C1606-07	QETN1CM-227Z	E CAP.	220μF 16V M
C1613	NCF21CZ-105X	C CAP.	1μF 16V Z
C1614	QETN1EM-476Z	E CAP.	47μF 25V M
C1615	NCF21CZ-105X	C CAP.	1μF 16V Z
C1616	QETN1HM-105Z	E CAP.	1μF 50V M
C1618	QETN1HM-105Z	E CAP.	1μF 50V M
C1626	QETN1EM-476Z	E CAP.	47μF 25V M
C1628	QETN1HM-107Z	E CAP.	100μF 50V M
C1629	QETN1HM-106Z	E CAP.	10μF 50V M
C1630	NCF21HZ-224X	C CAP.	0.22μF 50V Z
C1632	NCF21HZ-224X	C CAP.	0.22μF 50V Z
C1634	QETN1HM-228Z	E CAP.	2200μF 50V M
C1638-39	QETN1HM-105Z	E CAP.	1μF 50V M
C1641-42	NCF21HZ-224X	C CAP.	0.22μF 50V Z
C1646-47	NCB31HK-103X	C CAP.	0.01μF 50V K
C1648-49	QETN1VM-108	E CAP.	1000μF 35V M
C1657	NCB31HK-103X	C CAP.	0.01μF 50V K
C1658	NDC31HJ-100X	C CAP.	10pF 50V J
C1661-63	NCB31CK-104X	CHIP CAP.	0.1μF 16V K
C1664-65	NCB31HK-222X	CHIP CAP.	2200pF 50V K
C1666-67	NCF31AZ-105X	C CAP.	1μF 10V Z
C1671	QETN1EM-476Z	E CAP.	47μF 25V M
C1672	QETN1HM-226Z	E CAP.	22μF 50V M
C1673-74	NCF31AZ-105X	C CAP.	1μF 10V Z
C1675	QETN1EM-476Z	E CAP.	47μF 25V M
C1678-79	NDC31HJ-100X	C CAP.	10pF 50V J
C1680	NCF31AZ-105X	C CAP.	1μF 10V Z
C1681	NCB31HK-332X	CHIP CAP.	3300pF 50V K
C1682	NCB31EK-333X	CHIP CAP.	0.033μF 25V K
C1683	QETN1EM-476Z	E CAP.	47μF 25V M
C1684	NCB31HK-332X	CHIP CAP.	3300pF 50V K
C1685	NCB31EK-333X	CHIP CAP.	0.033μF 25V K
C1686	NCF31AZ-105X	C CAP.	1μF 10V Z
C1687	QETN1HM-106Z	E CAP.	10μF 50V M
C1688	QETN1EM-476Z	E CAP.	47μF 25V M
C1689	NCB31CK-104X	CHIP CAP.	0.1μF 16V K
C1691	NCB31EK-393X	CHIP CAP.	0.039μF 25V K
C1692	NDC31HJ-100X	C CAP.	10pF 50V J
C1693-94	QETN1EM-476Z	E CAP.	47μF 25V M
C1695	NCF31AZ-105X	C CAP.	1μF 10V Z
C1696	NCB31EK-393X	CHIP CAP.	0.039μF 25V K
C1697	NCB31HK-103X	C CAP.	0.01μF 50V K
C1698	NCF31AZ-105X	C CAP.	1μF 10V Z
C1699	NCB31HK-103X	C CAP.	0.01μF 50V K
C1701	QETN1HM-106Z	E CAP.	10μF 50V M
C1702	NCB31CK-563X	CHIP CAP.	0.056μF 16V K
C1951	QETN1CM-477Z	E CAP.	470μF 16V M
C1952-53	NCB31CK-104X	CHIP CAP.	0.1μF 16V K
C1954	QETN1AM-477Z	E CAP.	470μF 10V M
C1955	QETN1AM-227Z	E CAP.	220μF 10V M
C1956	QETN1AM-107Z	E CAP.	100μF 10V M

COIL

L1001	QQL244K-270Z	PEAKING COIL	
L1002-03	QQL244K-100Z	COIL	10μH K
L1101	QRN143J-0R0X	C R	0.0Ω 1/4W J
L1102	QQL244K-4R7Z	COIL	4.7μH K
L1111	QQL244K-220Z	PEAKING COIL	
L1112	QQL244K-180Z	COIL	18μH K
L1301-02	NQL092K-1R5X	CHIP INDUCTOR	
L1951	QQL26AM-5R6Z	CHOKE COIL	

Symbol No.	Part No.	Part Name	Description
DIODE			
D1317-18	MA111-X	SI. DIODE	
D1471-74	MA111-X	SI. DIODE	
D1521	MA111-X	SI. DIODE	
D1591	MA111-X	SI. DIODE	
D1592	MA3051/M/-X	ZENER DIODE	
D1602	MA111-X	SI. DIODE	
D1610-11	MA111-X	SI. DIODE	
D1614-15	MA111-X	SI. DIODE	
D1617	MA111-X	SI. DIODE	
D1619-20	MA3330/L/-X	ZENER DIODE	
D1626-27	MA3150/M/-X	ZENER DIODE	
D1771-74	MA3056/M/-X	ZENER DIODE	
D1951	1SR35-400A-T5	SI. DIODE	
D1981-82	MA111-X	SI. DIODE	
TRANSISTOR			
Q1101-02	2SC2412K/QR/-X	SI. TRANSISTOR	
Q1471-72	2SC2412K/QR/-X	SI. TRANSISTOR	
Q1561	2SC2412K/QR/-X	SI. TRANSISTOR	
Q1562	2SA1037AK/QR/-X	SI. TRANSISTOR	
Q1601-02	2SA1037AK/QR/-X	SI. TRANSISTOR	
Q1604-05	DTC124EKA-X	DIGI. TRANSISTOR	
Q1606	2SC2412K/QR/-X	SI. TRANSISTOR	
Q1607	DTA124EKA-X	DIGI. TRANSISTOR	
Q1615	2SA1037AK/QR/-X	SI. TRANSISTOR	
Q1616-17	DTC323TK-X	DIGI. TRANSISTOR	
IC			
IC1101	MSP3415DQGB3GHX	I. C. (MONO-ANA)	
IC1301	SDA9380	I C	
IC1402	BA10324AF-XE	I C	
IC1471	UPC358G2-XE	I. C. (MONO-ANA)	
IC1551	LA6515	I. C. (MONO-ANA)	
IC1601	TA8246AH	I. C. (HYBRID)	
IC1604	BA4558F-X	I. C. (MONO-ANA)	
IC1661	BD3869F-X	IC	
IC1662	BA4558F-X	I. C. (MONO-ANA)	
IC1663	NJM2150AM-X	I. C. (MONO-ANA)	
IC1665	BA10324AF-XE	I C	
IC1701	JLC1562BF-X	I. C. (DIGI-MOS)	
IC1951	BA09T	I. C. (MONO-ANA)	
IC1952	BA08T	I. C. (MONO-ANA)	
OTHERS			
CN1013	QGA2501C1-10	W TO B CONNE	
CN1111	QGA2501C5-04Z	W TO B CONNE	
J1001	QNN0296-001	PIN JACK	
LC1102	NQR0431-001X	EMI FILTER	
LC1301-03	NQR0431-001X	EMI FILTER	
K1001	NQR0389-003X	FERRITE BEADS	
K1101-02	NQR0389-003X	FERRITE BEADS	
K1301	NQR0413-003X	CHIP BEADS	
K1601-02	CE42681-001Y	BEADS CORE	
TU1001	QAU0189-002	TUNER	
X1101	CE42546-001Z	CRYSTAL	
X1501	QAX0549-001Z	CRYSTAL	
Y1612-13	NCF21CZ-105X	C. CAP.	1μF 16V Z
Y1677-78	NRSA63J-101X	MG R	100Ω 1/16W J

POWER & DEF. P.W. BOARD ASS'Y (SMF-2002A-U2)

Symbol No.	Part No.	Part Name	Description
RESISTOR			
R2401-02	QRE141J-562Y	C R	5.6kΩ 1/4W J
R2403	QRE141J-222Y	C R	2.2kΩ 1/4W J
R2404	QRX01GJ-1R0	MF R	1.0Ω 1W J
R2405	QRL029J-151	OM R	150Ω 2W J
R2406	QRE141J-222Y	C R	2.2kΩ 1/4W J
R2407-08	QRX01GJ-1R5	MF R	1.5Ω 1W J
R2409	QRE141J-823Y	C R	82kΩ 1/4W J
R2410	QRE141J-103Y	C R	10kΩ 1/4W J
R2421	QRE141J-103Y	C R	10kΩ 1/4W J
R2422	QRE141J-274Y	C R	270kΩ 1/4W J
R2461	QRG029J-820	OM R	82 Ω 2W J
R2462	QRE141J-473Y	C R	47kΩ 1/4W J
R2463	QRE141J-682Y	C R	6.8kΩ 1/4W J
R2464	QRX01GJ-3R3	MF R	3.3Ω 1W J
R2468	QRE141J-102Y	C R	1kΩ 1/4W J
R2469	QRE141J-272Y	C R	2.7kΩ 1/4W J
R2471	QRE141J-391Y	C R	390Ω 1/4W J
R2472	QRA14CF-1002Y	MF R	10kΩ 1/4W F
R2473	QRE141J-473Y	C R	47kΩ 1/4W J
R2474	QRE141J-103Y	C R	10kΩ 1/4W J
R2475	QRE141J-102Y	C R	1kΩ 1/4W J
R2476	QRE141J-102Y	C R	1kΩ 1/4W J
R2477	QRE141J-563Y	C R	56kΩ 1/4W J
R2478	QRE141J-333Y	C R	33kΩ 1/4W J
R2501	QRE141J-471Y	C R	470Ω 1/4W J
R2502	QRE141J-123Y	C R	12kΩ 1/4W J
R2503	QRE121J-152Y	C R	1.5kΩ 1/2W J
R2504	QRL039J-272	OM R	2.7kΩ 3W J
R2505	QRL039J-332	OM R	3.3kΩ 3W J
R2506	QRE121J-5R6Y	C R	5.6Ω 1/2W J
R2521	QRE121J-471Y	C R	470Ω 1/2W J
R2522	QRE141J-223Y	C R	22kΩ 1/4W J
R2523	QRE141J-103Y	C R	10kΩ 1/4W J
R2524	QRC121K-152Z	COMP. R	1.5kΩ 1/2W K
R2541	QRE141J-182Y	C R	1.8kΩ 1/4W J
R2542	QRE141J-222Y	C R	2.2kΩ 1/4W J
R2543	QRE121J-272Y	C R	2.7kΩ 1/2W J
△ R2551	QRZ9022-R47	F R	0.47 Ω 1W K
△ R2552	QRZ9022-R47	F R	0.47 Ω 1W K
△ R2553	QRZ9017-4R7	F R	4.7 Ω 1/4W J
R2554	QRE141J-0R0Y	C R	0.0Ω 1/4W J
R2561	QRG01GJ-220	OM R	22Ω 1W J
R2562	QRE121J-123Y	C R	12kΩ 1/2W J
R2563	QRZ0056-103Z	COMP. R	10kΩ
R2581	QRF154K-4R7	UNF R	4.7Ω 15W K
R2582	QRE141J-681Y	C R	680Ω 1/4W J
R2583	QRE121J-682Y	C R	6.8kΩ 1/2W J
R2584	QRE141J-183Y	C R	18kΩ 1/4W J
R2585	QRE141J-222Y	C R	2.2kΩ 1/4W J
R2586	QRA14CF-6801Y	MF R	6.8kΩ 1/4W F
R2587	QRA14CF-2101Y	MF R	2.1kΩ 1/4W F
R2588	QRE141J-103Y	C R	10kΩ 1/4W J
△ R2591	QRZ9017-4R7	F R	4.7 Ω 1/4W J
R2901	QRE121J-331Y	C R	330Ω 1/2W J
R2902	QRF054K-3R3	UNF R	3.3Ω 5W K
R2903	QRF104K-3R9	UNF R	3.9Ω 10W K
R2904	QRL039J-683	OM R	68kΩ 3W J
R2905-06	QRE121J-474Y	C R	470kΩ 1/2W J
R2908-09	QRL039J-823	OM R	82kΩ 3W J
△ R2910	QRZ9017-4R7	F R	4.7 Ω 1/4W J
R2911	QRE121J-152Y	C R	1.5kΩ 1/2W J
R2914	QRM059J-R10	MP R	0.10Ω 5W J
R2915	QRE121J-681Y	C R	680Ω 1/2W J
R2916	QRE121J-332Y	C R	3.3kΩ 1/2W J
△ R2932	QRZ9017-470	F R	47 Ω 1/4W J
R2933	QRE121J-272Y	C R	2.7kΩ 1/2W J
R2934	QRE121J-564Y	C R	560kΩ 1/2W J
R2935	QRE141J-472Y	C R	4.7kΩ 1/4W J
R2936	QRX01GJ-3R9	MF R	3.9Ω 1W J
R2937	QRE121J-681Y	C R	680Ω 1/2W J
R2941	QRE121J-331Y	C R	330Ω 1/2W J
R2942	QRE121J-471Y	C R	470Ω 1/2W J

Symbol No.	Part No.	Part Name	Description
DIODE			
D2583	MTZJ7.5S-T2	ZENER DIODE	
△ D2584	EU2-T3	SI. DIODE	
D2901	D35B60	BRIDGE DIODE	
D2902	RG1C-LFA1	SI. DIODE	
D2904	AU01Z-T2	SI. DIODE	
D2905	AU01Z-T2	SI. DIODE	
D2906	MTZJ27B-T2	ZENER DIODE	
D2907	1SS133-T2	SI. DIODE	
D2908	1SS133-T2	SI. DIODE	
D2910	MTZJ15B-T2	ZENER DIODE	
D2912	MTZJ27B-T2	ZENER DIODE	
△ D2931	S1WB/A/60-4101	SI. DIODE	
D2933	AU01Z-T2	SI. DIODE	
D2934	AU01Z-T2	SI. DIODE	
D2935	1SS133-T2	SI. DIODE	
D2941	RGPI0J-5025-T3	SI. DIODE	
D2943	MTZJ7.5B-T2	ZENER DIODE	
D2944	NJM431L-T	I.C. (MONO-ANA)	
D2945	1SS133-T2	SI. DIODE	
D2951	RU4B-F1	SI. DIODE	
D2952	FMX-G12S	SI. DIODE	
D2953	RU4B-F1	SI. DIODE	
D2954	FMX-G12S	SI. DIODE	
D2958	MTZJ33B-T2	ZENER DIODE	
D2959-60	RK34-LFC4	SI. DIODE	
D2961	1SR35-400A-T2	SI. DIODE	
D2981	1SS133-T2	SI. DIODE	
D2984	1SS133-T2	SI. DIODE	
D2985	1SS133-T2	SI. DIODE	
TRANSISTOR			
Q2421	DTC124ESA-T	DIGI. TRANSISTOR	
Q2422	2SC1740S/QR/-T	SI. TRANSISTOR	
Q2461	2SK2459N-F54	F.E.T.	
Q2462-63	2SC1740S/QR/-T	SI. TRANSISTOR	
Q2464	2SA933AS/QR/-T	SI. TRANSISTOR	
Q2501	BSN304-T	F.E.T.	
△ Q2521	2SC5552-RL	SI. TRANSISTOR	
Q2581	2SA1208/ST/Z1-T	SI. TRANSISTOR	
Q2582	DTC144ESA-T	DIGI. TRANSISTOR	
Q2583	2SC1740S/QR/-T	SI. TRANSISTOR	
Q2941-42	2SC1740S/QR/-T	SI. TRANSISTOR	
IC			
IC2401	LA78041	I C	
IC2461	BA10393	I.C. (MONO-ANA)	
IC2551	BA12T	I.C. (MONO-ANA)	
IC2901	STR-F6667B/F7	I.C. (HYBRID)	
IC2931	STR-L472/F7	I C	
IC2951	SE140N	I.C. (HYBRID)	
IC2954	SI-8050S	I.C. (HYBRID)	
IC2955	SI-8033S/F1	I.C. (HYBRID)	
OTHERS			
CN2010	QGA2501C5-04Z	W TO B CONNE	
CN2014	QGA2501C5-06Z	EH. POST HEADER	
△ CP2931	QMFZ043-2R0Z-J1	FUSE	2.0A
△ CP2941	ICP-N25-Y	I.C. PROTECT	
△ CP2954	ICP-N75-Y	I.C. PROTECT	
K2401	QQR0621-002Z	BEADS CORE	
K2522-24	CE41832-001	LEAD CORE	
K2901	QQR0679-001	FERRITE BEADS	
K2952	QQR0621-002Z	BEADS CORE	
K2953	QQR0621-002Z	BEADS CORE	
K2954	QQR0621-002Z	BEADS CORE	
△ LF2901	QQR1095-001	LINE FILTER	
△ PC2901	PC123FY2	I.C. (PH. COUPLER)	
△ PC2931	PC123FY2	I.C. (PH. COUPLER)	
△ RY2931	QSK0099-001	RELAY	
△ TH2901	QAD0133-9R0	PTC	

■ CRT SOCKET P.W. BOARD ASS'Y (SMF-3001A-U2)

Symbol No.	Part No.	Part Name	Description
RESISTOR			
R3101	NRSA63J-123X	MG R	12kΩ 1/16W J
R3102	NRSA63J-681X	MG R	680Ω 1/16W J
R3103	NRSA63J-101X	MG R	100Ω 1/16W J
R3104	NRSA63J-472X	MG R	4.7kΩ 1/16W J
R3105	NRSA63J-102X	MG R	1kΩ 1/16W J
R3106	NRSA63J-221X	MG R	220Ω 1/16W J
R3107	NRSA63J-561X	MG R	560Ω 1/16W J
R3109	NRSA63J-153X	MG R	15kΩ 1/16W J
R3110	NRSA63J-222X	MG R	2.2kΩ 1/16W J
R3111	NRSA63J-182X	MG R	1.8kΩ 1/16W J
R3112	NRSA63J-272X	MG R	2.7kΩ 1/16W J
R3113	NRSA63J-331X	MG R	330Ω 1/16W J
R3114	NRSA63J-152X	MG R	1.5kΩ 1/16W J
R3115	NRSA63J-820X	MG R	82Ω 1/16W J
R3116	QRG01GJ-101	OM R	100Ω 1W J
R3117	NRSA63J-221X	MG R	220Ω 1/16W J
R3122	NRSA63J-122X	MG R	1.2kΩ 1/16W J
R3123	QRE121J-563Y	C R	56kΩ 1/2W J
R3124	NRSA63J-470X	MG R	47Ω 1/16W J
R3125	QRE121J-563Y	C R	56kΩ 1/2W J
R3126	NRSA63J-470X	MG R	47Ω 1/16W J
R3127	NRSA63J-122X	MG R	1.2kΩ 1/16W J
R3128	NRSA63J-390X	MG R	39Ω 1/16W J
R3129-30	QRE121J-2R7Y	C R	2.7Ω 1/2W J
R3131	NRSA63J-390X	MG R	39Ω 1/16W J
R3132	NRSA63J-121X	MG R	120Ω 1/16W J
R3133	QRL029J-391	OM R	390Ω 2W J
△ R3134	QRZ9021-561	F R	560 Ω 1W J
R3204-06	NRSA63J-272X	MG R	2.7kΩ 1/16W J
R3211	NRSA63J-154X	MG R	150kΩ 1/16W J
R3223-25	NRSA63J-272X	MG R	2.7kΩ 1/16W J
R3227	NRSA63J-103X	MG R	10kΩ 1/16W J
R3228	NRSA63J-272X	MG R	2.7kΩ 1/16W J
R3229-31	QRL029J-104	OM R	100kΩ 2W J
R3232-34	NRSA63J-332X	MG R	3.3kΩ 1/16W J
R3235-37	QRC121K-152Z	COMP. R	1.5kΩ 1/2W K
R3239	QRZ0107-474Z	C R	470kΩ 1/2W K
R3241	QRZ0107-105Z	C R	1.0MΩ 1/2W K
R3242	NRSA63J-103X	MG R	10kΩ 1/16W J
R3244	NRSA63J-102X	MG R	1kΩ 1/16W J
R3245-47	NRSA63J-562X	MG R	5.6kΩ 1/16W J
R3301-02	QRE121J-474Y	C R	470kΩ 1/2W J
R3303-04	NRSA63J-223X	MG R	22kΩ 1/16W J
R3305	NRSA63J-562X	MG R	5.6kΩ 1/16W J
R3306	NRSA63J-392X	MG R	3.9kΩ 1/16W J
R3310	NRSA63J-0R0X	MG R	0.0Ω 1/16W J
CAPACITOR			
C3102	NDC31HJ-8R0X	C CAP.	8.0pF 50V J
C3103	NDC31HJ-151X	C CAP.	150pF 50V J
C3104	QCB31HK-103Z	C CAP.	0.01μF 50V K
C3106	QETN1HM-335Z	E CAP.	3.3μF 50V M
C3107	QETN1CM-107Z	E CAP.	100μF 16V M
C3110	QETN2CM-106Z	E CAP.	10μF 160V M
C3111	QCB32HK-472Z	C CAP.	4700pF 500V K
C3113	QETN2CM-106Z	E CAP.	10μF 160V M
C3114	QCB32HK-472Z	C CAP.	4700pF 500V K
C3116-17	QETN1AM-107Z	E CAP.	100μF 10V M
C3118	QETN1AM-337Z	E CAP.	330μF 10V M
C3120-21	NDC31HJ-221X	C CAP.	220pF 50V J
C3201-03	NDC31HJ-8R0X	C CAP.	8.0pF 50V J
C3204-06	NCF31CZ-104X	C CAP.	0.1μF 16V Z
C3207-09	QETN1EM-476Z	E CAP.	47μF 25V M
C3210-12	QFK62EK-104Z	MM CAP.	0.1μF 250V K
C3213-15	NDC31HJ-181X	C CAP.	180pF 50V J
C3216	QETN1CM-107Z	E CAP.	100μF 16V M
C3218	QETM2EM-336	E CAP.	33μF 250V M
C3219	QFZ0097-223	MM CAP.	0.022μF 1250V K
C3221	QETN2EM-106Z	E CAP.	10μF 250V M
C3302	QETN1AM-477Z	E CAP.	470μF 10V M

Symbol No.	Part No.	Part Name	Description
COIL			
L3101	QQL244K-5R6Z	COIL	5.6μH K
L3204	QQL26AJ-10Z2	COIL	1mH J
DIODE			
D3101-02	MA111-X	SI.DIODE	
D3103	RH1S-T3	SI.DIODE	
D3104	RH1S-T3	SI.DIODE	
D3204-06	EU01N-T2	SI.DIODE	
D3208-10	1SR124-400A-T2	SI.DIODE	
D3211	MA3062/M/-X	ZENER DIODE	
D3301	MA111-X	SI.DIODE	
D3303	MA111-X	SI.DIODE	
TRANSISTOR			
Q3101	2SC2412K/QR/-X	SI. TRANSISTOR	
Q3102	2SA1037AK/QR/-X	SI. TRANSISTOR	
Q3103	2SC1906-T	SI. TRANSISTOR	
Q3104	2SC2412K/QR/-X	SI. TRANSISTOR	
Q3105	2SC1627A/OY/-T	SI. TRANSISTOR	
Q3108	2SA1837	SI. TRANSISTOR	
Q3109	2SC4793	SI. TRANSISTOR	
Q3301	2SA1037AK/QR/-X	SI. TRANSISTOR	
IC			
IC3201-03	TDA6111Q	I. C. (MONO-ANA)	
OTHERS			
K3101	CE41492-001Z	CHOKE COIL	
K3103-04	CE41492-001Z	CHOKE COIL	
K3105	QQR0621-002Z	BEADS CORE	
SK3001	QNZ0380-001	C. R. T. SOCKET	

FRONT CONTROL P.W. BOARD ASS'Y (SMF-8008A-U2)

Symbol No.	Part No.	Part Name	Description
RESISTOR			
R8003	NRSA63J-102X	MG R	1kΩ 1/16W J
R8004	NRSA63J-222X	MG R	2.2kΩ 1/16W J
R8005	NRSA63J-221X	MG R	220Ω 1/16W J
R8006	NRSA63J-182X	MG R	1.8kΩ 1/16W J
R8008	NRSA63J-102X	MG R	1kΩ 1/16W J
R8020	NRSA63J-822X	MG R	8.2kΩ 1/16W J
R8035	QRE121J-151Y	C R	150Ω 1/2W J
R8039	NRSA63J-331X	MG R	330Ω 1/16W J
CAPACITOR			
C8003	QETN1HM-106Z	E. CAP.	10μF 50V M
C8004	NCB31CK-104X	CHIP CAP.	0.1μF 16V K
C8019	QETN1CM-107Z	E. CAP.	100μF 16V M
C8022	QETN1EM-476Z	E. CAP.	47μF 25V M
C8901	QFZ9040-474	MF CAP.	0.47μFAC275V M
DIODE			
D8007	P1241-04	C. D. S.	
D8008	MA111-X	SI. DIODE	
D8010	SPR-39MVWF	L. E. D.	
D8011	MA111-X	SI. DIODE	
D8014	MA3068/M/-X	ZENER DIODE	
D8018	MA3033-X	ZENER DIODE	
TRANSISTOR			
Q8001	2SA1037AK/QR/-X	SI. TRANSISTOR	
Q8002	DTA124EKA-X	DIGI. TRANSISTOR	
Q8003-04	DTA124EKA-X	DIGI. TRANSISTOR	
IC			
IC8001	GP1U281Q	IFR DETECT UNIT	
OTHERS			
	CM35921-005-H	CDS HOLDER	
	LC30349-001A-H	L. E. D. HOLDER	
	CEMG002-001Z	FUSE CLIP	
LF8901	QQR1095-001	LINE FILTER	
F8901	QMF51D2-3R15J1	FUSE	3.15A
S8901	QSW0824-001	PUSH SWITCH	MAIN POWER

SIDE CONTROL P.W. BOARD ASS'Y (SMF-8108A-U2)

Symbol No.	Part No.	Part Name	Description
RESISTOR			
R8001-02	QRE121J-271Y	C R	270Ω 1/2W J
R8007	NRSA63J-103X	MG R	10kΩ 1/16W J
R8010	NRSA63J-103X	MG R	10kΩ 1/16W J
R8012-13	NRSA63J-103X	MG R	10kΩ 1/16W J
R8021-22	NRSA63J-102X	MG R	1kΩ 1/16W J
CAPACITOR			
C8001-02	NCB31HK-103X	C. CAP.	0.01μF 50V K
C8003	NDC31HJ-680X	C. CAP.	68pF 50V J
C8010-11	NCB31HK-472X	C. CAP.	4700pF 50V K
C8021	NCB31CK-104X	CHIP CAP.	0.1μF 16V K
COIL			
L8001	QQR0716-001Z	LEAD CORE	
L8002-03	QQL244K-5R6Z	COIL	5.6μH K
L8010-11	QQL244K-270Z	PEAKING COIL	
L8012	QQR0716-001Z	LEAD CORE	
OTHERS			
J8001	QNS0169-001	PIN JACK	
J8003	QNZ0438-001	JACK	
LC8002	NQR0169-001X	EMI FILTER	
S8001	QSW0619-003Z	PUSH SWITCH	MENU
S8002	QSW0619-003Z	PUSH SWITCH	CH DOWN
S8003	QSW0619-003Z	PUSH SWITCH	CH UP

■ MICON P.W. BOARD ASS'Y (SMF0M001A-U2)

△ Symbol No.	Part No.	Part Name	Description
RESISTOR			
R0001	NRSA63J-102X	MG R	1kΩ 1/16W J
R0002	NRSA63J-104X	MG R	100kΩ 1/16W J
R0003-05	NRSA63J-102X	MG R	1kΩ 1/16W J
R0006	NRSA63J-152X	MG R	1.5kΩ 1/16W J
R0007-08	NRSA63J-102X	MG R	1kΩ 1/16W J
R0009-11	NRSA63J-103X	MG R	10kΩ 1/16W J
R0012	NRSA63J-273X	MG R	27kΩ 1/16W J
R0013	NRSA63J-221X	MG R	220Ω 1/16W J
R0014	NRSA63J-102X	MG R	1kΩ 1/16W J
R0015	NRSA63J-473X	MG R	47kΩ 1/16W J
R0016-17	NRSA63J-103X	MG R	10kΩ 1/16W J
R0018-21	NRSA63J-102X	MG R	1kΩ 1/16W J
R0022	NRSA63J-472X	MG R	4.7kΩ 1/16W J
R0024	NRSA63J-472X	MG R	4.7kΩ 1/16W J
R0027	NRSA63J-472X	MG R	4.7kΩ 1/16W J
R0030	NRSA63J-472X	MG R	4.7kΩ 1/16W J
R0032	NRSA63J-472X	MG R	4.7kΩ 1/16W J
R0034-53	NRSA63J-0R0X	MG R	0.0Ω 1/16W J
R0055	NRSA63J-0R0X	MG R	0.0Ω 1/16W J
R0057-77	NRSA63J-0R0X	MG R	0.0Ω 1/16W J
R0087	NRSA63J-221X	MG R	220Ω 1/16W J
R0089-91	NRSA63J-221X	MG R	220Ω 1/16W J
R0092	NRSA63J-472X	MG R	4.7kΩ 1/16W J
R0093	NRSA63J-221X	MG R	220Ω 1/16W J
R0094	NRSA63J-472X	MG R	4.7kΩ 1/16W J
R0095	NRSA63J-473X	MG R	47kΩ 1/16W J
R0096	NRSA63J-221X	MG R	220Ω 1/16W J
R0097	NRSA63J-102X	MG R	1kΩ 1/16W J
R0098	NRSA63J-0R0X	MG R	0.0Ω 1/16W J
R0099	NRSA63J-102X	MG R	1kΩ 1/16W J
R0100-02	NRSA63J-102X	MG R	1kΩ 1/16W J
R0103-06	NRSA63J-103X	MG R	10kΩ 1/16W J
R0107	NRSA63J-102X	MG R	1kΩ 1/16W J
R0110	NRSA63J-102X	MG R	1kΩ 1/16W J
R0111	NRSA63J-103X	MG R	10kΩ 1/16W J
R0112	NRSA63J-102X	MG R	1kΩ 1/16W J
R0113-14	NRSA63J-103X	MG R	10kΩ 1/16W J
R0119	NRSA63J-563X	MG R	56kΩ 1/16W J
R0120	NRSA63J-332X	MG R	3.3kΩ 1/16W J
R0121	NRSA63J-182X	MG R	1.8kΩ 1/16W J
R0122	NRSA63J-103X	MG R	10kΩ 1/16W J
R0123	NRSA63J-682X	MG R	6.8kΩ 1/16W J
R0124	NRSA63J-101X	MG R	100Ω 1/16W J
R0125-28	NRSA63J-472X	MG R	4.7kΩ 1/16W J
R0129	NRSA63J-823X	MG R	82kΩ 1/16W J
R0130	NRSA63J-104X	MG R	100kΩ 1/16W J
R0131	NRSA63J-0R0X	MG R	0.0Ω 1/16W J
R0133	NRSA63J-0R0X	MG R	0.0Ω 1/16W J
R0135	NRSA63J-102X	MG R	1kΩ 1/16W J
R0136	NRSA63J-103X	MG R	10kΩ 1/16W J
R0137-39	NRSA63J-222X	MG R	2.2kΩ 1/16W J
R0144-45	NRSA63J-103X	MG R	10kΩ 1/16W J
R0146	NCF31CZ-104X	C CAP.	0.1μF 16V Z
R0147	NRSA63J-472X	MG R	4.7kΩ 1/16W J
R0151	NRSA63J-183X	MG R	18kΩ 1/16W J
R0152-54	NRSA63J-221X	MG R	220Ω 1/16W J
R0155-56	NRSA63J-101X	MG R	100Ω 1/16W J
R0157	NRSA63J-0R0X	MG R	0.0Ω 1/16W J
R0158	NRSA63J-221X	MG R	220Ω 1/16W J
R0161	NRSA63J-102X	MG R	1kΩ 1/16W J
R0162	NRSA63J-153X	MG R	15kΩ 1/16W J
R0163	NRSA63J-682X	MG R	6.8kΩ 1/16W J
CAPACITOR			
C0001	QETNOJM-477Z	E CAP.	470μF 6.3V M
C0002	NCF31CZ-104X	C CAP.	0.1μF 16V Z
C0003	NCB11CK-225X	CHIP CAP.	2.2μF 16V K
C0004	QETNOJM-108Z	E CAP.	1000μF 6.3V M
C0005-06	NCB11CK-225X	CHIP CAP.	2.2μF 16V K
C0007	NEH71CM-476X	E CAP.	47μF 16V M
C0008	NCB11CK-225X	CHIP CAP.	2.2μF 16V K

△ Symbol No.	Part No.	Part Name	Description
CAPACITOR			
C0012-13	NCF31CZ-104X	C CAP.	0.1μF 16V Z
C0014	NCB31HK-682X	CHIP CAP.	6800pF 50V K
C0017	NDC31HJ-150X	C CAP.	15pF 50V J
C0019	NEH71CM-476X	E CAP.	47μF 16V M
C0020	NCF31CZ-104X	C CAP.	0.1μF 16V Z
C0021	NEH71CM-476X	E CAP.	47μF 16V M
C0022	NCF31AZ-105X	C CAP.	1μF 10V Z
C0023	NCB31EK-333X	CHIP CAP.	0.033μF 25V K
C0024	NCF31CZ-104X	C CAP.	0.1μF 16V Z
C0027-28	NEH71CM-476X	E CAP.	47μF 16V M
C0029	NDC31HJ-151X	C CAP.	150pF 50V J
C0030-32	NCF31CZ-104X	C CAP.	0.1μF 16V Z
C0034-39	NCF31CZ-104X	C CAP.	0.1μF 16V Z
C0040	NDC31HJ-330X	C CAP.	33pF 50V J
C0041	NDC31HJ-270X	C CAP.	27pF 50V J
C0042-43	NCF31CZ-104X	C CAP.	0.1μF 16V Z
C0045-47	NCF31CZ-104X	C CAP.	0.1μF 16V Z
C0048	NEH71CM-476X	E CAP.	47μF 16V M
C0049-50	NCF31CZ-104X	C CAP.	0.1μF 16V Z
C0051	NEH71CM-476X	E CAP.	47μF 16V M
C0052-57	NCF31CZ-104X	C CAP.	0.1μF 16V Z
C0059-61	NEH71CM-106X	E CAP.	10μF 16V M
C0062	NCF31CZ-104X	C CAP.	0.1μF 16V Z
C0063-65	NDC31HJ-820X	C CAP.	82pF 50V J
C0070	NEH71HM-225X	E CAP.	2.2μF 50V M
COIL			
L0001	NQL092K-4R7X	CHIP INDUCTOR	
L0003	NQL092K-4R7X	CHIP INDUCTOR	
L0005-08	NQL092K-4R7X	CHIP INDUCTOR	
L0009	NQL034K-4R7X	CHIP INDUCTOR	
L0010-14	NQL092K-4R7X	CHIP INDUCTOR	
L0015-16	NQL034K-4R7X	CHIP INDUCTOR	
L0017-22	NQL092K-1R5X	CHIP INDUCTOR	
DIODE			
D0001-02	MA111-X	SI DIODE	
D0003	MA3068/M/-X	ZENER DIODE	
D0004	MA3027-X	ZENER DIODE	
D0005-08	MA3056/M/-X	ZENER DIODE	
D0010	MA3068/M/-X	ZENER DIODE	
TRANSISTOR			
Q0001-02	2SC2712/YG/-X	SI TRANSISTOR	
Q0007-08	2SA1162/YG/-X	SI TRANSISTOR	
Q0009-12	2SC2712/YG/-X	SI TRANSISTOR	
IC			
IC0001	SDA6000	I C	
IC0003	K45161622D-TC80	I.C. (D-RAM)	
IC0004	AT24C32-32L5E1	I.C.	(SERVICE)
IC0005	S-80828ANNP-W	I C	
IC0012	MX23L1610TC1001	I C	
IC0901	TA48M025F-X	I.C. (M)	
IC0902	TA48M033F-X	I.C. (M)	
IC0903	MM1437AF-X	I.C. (MONO-ANA)	
OTHERS			
CN0001	QGB1505K1-50	CONNECTOR	
LC0001	NQR0313-007X	EMI FILTER	
LC0002	NQR0431-001X	EMI FILTER	
K0001	NQR0360-002X	FERRITE BEADS	
K0002	NQR0389-003X	FERRITE BEADS	
K0003	NRSA63J-0R0X	MG R	0.0Ω 1/16W J
K0004	NQR0389-003X	FERRITE BEADS	
K0005	NRSA63J-0R0X	MG R	0.0Ω 1/16W J
X0001	QAX0669-001Z	XTAL	

■ AV SW P.W. BOARD ASS'Y (SMF0S001A-U2)

△ Symbol No.	Part No.	Part Name	Description
RESISTOR			
R0101-09	NRSA63J-750X	MG R	75Ω 1/16W J
R0110-11	NRSA63J-103X	MG R	10kΩ 1/16W J
R0112-13	NRSA63J-823X	MG R	82kΩ 1/16W J
R0114	NRSA63J-333X	MG R	33kΩ 1/16W J
R0115	NRSA63J-473X	MG R	47kΩ 1/16W J
R0116	NRSA63J-823X	MG R	82kΩ 1/16W J
R0117	NRSA63J-223X	MG R	22kΩ 1/16W J
R0118	NRSA63J-473X	MG R	47kΩ 1/16W J
R0119	NRSA63J-153X	MG R	15kΩ 1/16W J
R0120	NRSA63J-273X	MG R	27kΩ 1/16W J
R0121	NRSA63J-222X	MG R	2.2kΩ 1/16W J
R0122	NRSA63J-473X	MG R	47kΩ 1/16W J
R0123	NRSA63J-823X	MG R	82kΩ 1/16W J
R0124	NRSA63J-153X	MG R	15kΩ 1/16W J
R0125	NRSA63J-223X	MG R	22kΩ 1/16W J
R0126	NRSA63J-473X	MG R	47kΩ 1/16W J
R0127	NRSA63J-273X	MG R	27kΩ 1/16W J
R0128-29	NRSA63J-823X	MG R	82kΩ 1/16W J
R0130-31	NRSA63J-391X	MG R	390Ω 1/16W J
R0132	NRSA63J-222X	MG R	2.2kΩ 1/16W J
R0133	NRSA63J-333X	MG R	33kΩ 1/16W J
R0134	NRSA63J-222X	MG R	2.2kΩ 1/16W J
R0135	NRSA63J-333X	MG R	33kΩ 1/16W J
R0136	NRSA63J-103X	MG R	10kΩ 1/16W J
R0137	NRSA63J-222X	MG R	2.2kΩ 1/16W J
R0138-39	NRSA63J-333X	MG R	33kΩ 1/16W J
R0140	NRSA63J-222X	MG R	2.2kΩ 1/16W J
R0141	NRSA63J-333X	MG R	33kΩ 1/16W J
R0142	NRSA63J-222X	MG R	2.2kΩ 1/16W J
R0143-44	NRSA63J-333X	MG R	33kΩ 1/16W J
R0145	NRSA63J-103X	MG R	10kΩ 1/16W J
R0146	NRSA63J-473X	MG R	47kΩ 1/16W J
R0147	NRSA63J-223X	MG R	22kΩ 1/16W J
R0148-49	NRSA63J-391X	MG R	390Ω 1/16W J
R0150-51	NRSA63J-104X	MG R	100kΩ 1/16W J
R0152-67	NRSA63J-101X	MG R	100Ω 1/16W J
R0168	NRSA63J-750X	MG R	75Ω 1/16W J
R0169	NRSA63J-222X	MG R	2.2kΩ 1/16W J
R0170	NRSA63J-333X	MG R	33kΩ 1/16W J
R0171	NRSA63J-750X	MG R	75Ω 1/16W J
R0172	NRSA63J-222X	MG R	2.2kΩ 1/16W J
R0173	NRSA63J-333X	MG R	33kΩ 1/16W J
R0174	NRSA63J-750X	MG R	75Ω 1/16W J
R0175	NRSA63J-333X	MG R	33kΩ 1/16W J
R0176	NRSA63J-103X	MG R	10kΩ 1/16W J
R0177	NRSA63J-823X	MG R	82kΩ 1/16W J
R0178	NRSA63J-153X	MG R	15kΩ 1/16W J
R0179	NRSA63J-473X	MG R	47kΩ 1/16W J
R0180	NRSA63J-273X	MG R	27kΩ 1/16W J
R0181-82	NRSA63J-562X	MG R	5.6kΩ 1/16W J
R0183-84	NRSA63J-102X	MG R	1kΩ 1/16W J
R0185-90	NRSA63J-101X	MG R	100Ω 1/16W J
R0191	NRSA63J-222X	MG R	2.2kΩ 1/16W J
R0192-93	NRSA63J-101X	MG R	100Ω 1/16W J
R0194-95	NRSA63J-221X	MG R	220Ω 1/16W J
R0196	QRG01GJ-101	OM R	100Ω 1W J
R0197	QRK126J-181X	C R	180Ω 1/2W J
R0198	NRSA63J-750X	MG R	75Ω 1/16W J
R0199	NRSA63J-101X	MG R	100Ω 1/16W J
R0200	NRSA63J-750X	MG R	75Ω 1/16W J
R0201	QRK126J-151X	C R	150Ω 1/2W J
R0202	NRSA63J-222X	MG R	2.2kΩ 1/16W J
R0203-05	NRSA63J-750X	MG R	75Ω 1/16W J

CAPACITOR

C0101-10	NCB31HK-472X	C CAP.	4700pF 50V K
C0111-12	QETN1CM-477Z	E CAP.	470μF 16V M
C0113-14	NCB31HK-102X	C CAP.	1000pF 50V K
C0115-17	QETN1HM-106Z	E CAP.	10μF 50V M
C0118-19	QETN1HM-105Z	E CAP.	1μF 50V M
C0120	NCB31HK-103X	C CAP.	0.01μF 50V K

△ Symbol No.	Part No.	Part Name	Description
CAPACITOR			

C0121	QETN1HM-105Z	E CAP.	1μF 50V M
C0122	QETN1HM-106Z	E CAP.	10μF 50V M
C0123	QETN1HM-105Z	E CAP.	1μF 50V M
C0124	NCB31HK-103X	C CAP.	0.01μF 50V K
C0125	NCB31HK-102X	C CAP.	1000pF 50V K
C0126-28	QETN1HM-106Z	E CAP.	10μF 50V M
C0129	QETN1HM-105Z	E CAP.	1μF 50V M
C0130	NCB31HK-103X	C CAP.	0.01μF 50V K
C0131	QETN1HM-105Z	E CAP.	1μF 50V M
C0132	NCB31HK-103X	C CAP.	0.01μF 50V K
C0133	QETN1HM-106Z	E CAP.	10μF 50V M
C0134	QETN1HM-105Z	E CAP.	1μF 50V M
C0135	QETN1HM-106Z	E CAP.	10μF 50V M
C0136	QETN1HM-105Z	E CAP.	1μF 50V M
C0137	NCB31HK-103X	C CAP.	0.01μF 50V K
C0138-39	QENC1HM-105Z	BP E CAP.	1μF 50V M
C0140	QENC1EM-106Z	BP E CAP.	10μF 25V M
C0141-47	NCB31HK-103X	C CAP.	0.01μF 50V K
C0148	QETN1HM-106Z	E CAP.	10μF 50V M
C0149	QENC1EM-106Z	BP E CAP.	10μF 25V M
C0150-51	QETN1CM-107Z	E CAP.	100μF 16V M
C0152	QETN1CM-477Z	E CAP.	470μF 16V M
C0153	NCB31HK-103X	C CAP.	0.01μF 50V K
C0154	QETN1CM-107Z	E CAP.	100μF 16V M
C0155	NDC31HJ-150X	C CAP.	15pF 50V J

COIL

L0101	QQR0716-001Z	LEAD CORE
-------	--------------	-----------

DIODE

D0101-04	MA3056/M/-X	ZENER DIODE
D0109-13	MA3120/M/-X	ZENER DIODE
D0114	MA3039/H/-X	ZENER DIODE
D0115-17	MA3056/M/-X	ZENER DIODE

TRANSISTOR

Q0101-02	2SC2412K/QR/-X	SI TRANSISTOR
Q0103-05	DTC323TK-X	DIGI. TRANSISTOR
Q0106-09	2SC2412K/QR/-X	SI TRANSISTOR
Q0110	2SA1037AK/QR/-X	SI TRANSISTOR
Q0111	DTC323TK-X	DIGI. TRANSISTOR
Q0112	2SA1037AK/QR/-X	SI TRANSISTOR
Q0113-15	2SC2412K/QR/-X	SI TRANSISTOR
Q0116	2SA933AS/QR/-T	SI TRANSISTOR
Q0117	2SC1740S/QR/-T	SI TRANSISTOR
Q0118	2SC2412K/QR/-X	SI TRANSISTOR

IC

IC0101	CXA2069Q	I C
--------	----------	-----

OTHERS

J0001	QNZ0465-001	PIN CONNECTOR
J0002	QNZ0463-001	PIN CONNECTOR
J0002	QNZ0463-001	PIN CONNECTOR
K0101-04	CE42681-001Y	BEADS CORE

△ Symbol No.	Part No.	Part Name	Description
COIL			
L0151	NQL034K-150X	CHIP INDUCTOR	
L0159	NQL034K-6R8X	CHIP INDUCTOR	
L0201-03	NQL034K-100X	CHIP INDUCTOR	
L0204	QQL244K-4R7Z	COIL	4.7μH K
L0205-08	NQL034K-100X	CHIP INDUCTOR	
L0209-10	NQL092K-1R5X	CHIP INDUCTOR	
L0251	NQL092K-5R6X	CHIP INDUCTOR	
L0261	NQL092K-5R6X	CHIP INDUCTOR	
L0271	NQL092K-5R6X	CHIP INDUCTOR	
DIODE			
D0401	MA111-X	SI.DIODE	
TRANSISTOR			
Q0101-02	2SA1037AK/QR/-X	SI. TRANSISTOR	
Q0151	2SA1037AK/QR/-X	SI. TRANSISTOR	
Q0201	2SA1037AK/QR/-X	SI. TRANSISTOR	
Q0251-52	2SA1037AK/QR/-X	SI. TRANSISTOR	
Q0253	2SC2412K/QR/-X	SI. TRANSISTOR	
Q0261	2SA1037AK/QR/-X	SI. TRANSISTOR	
Q0271	2SA1037AK/QR/-X	SI. TRANSISTOR	
Q0301-03	2SC2412K/QR/-X	SI. TRANSISTOR	
IC			
IC0101	VPC3230D-QA-B3	I C	
IC0151	VPC3230D-QA-B3	I C	
IC0201	SAA4979H/V1	I C	
IC0202	OM4994H	I C	
IC0203-05	SAA4955HL/V1	I C	
IC0206-10	TC7W08F-X	I. C. (ECL-LOGIC)	
IC0211	TC7WHU04FU-X	I C	
IC0301	TDA9178T/N1-X	I C	
IC0401	S-80828ANNP-W	I C	
IC0402	TC7WH34FU-X	I C	
OTHERS			
CN0003	QGB1505K1-50	CONNECTOR	
LC0010-12	NQR0313-009X	EMI FILTER	
LC0013	NQR0313-004X	EMI FILTER	
LC0014-15	NQR0313-007X	EMI FILTER	
X0101	QAX0655-001Z	XTAL	
X0151	QAX0655-001Z	XTAL	
X0201	QAX0273-001Z	CRYSTAL	

AV32L5EIGY

PRINTED WIRING BOARD PARTS LIST

■ MAIN P.W. BOARD ASS'Y (SMF-1001A-U2)

△ Symbol No.	Part No.	Part Name	Description
--------------	----------	-----------	-------------

RESISTOR

R1004-05	NRSA63J-101X	MG R	100Ω 1/16W J
R1008-09	NRSA63J-080X	MG R	0.0Ω 1/16W J
R1101	NRSA63J-102X	MG R	1kΩ 1/16W J
R1102	NRSA63J-181X	MG R	180Ω 1/16W J
R1103	NRSA63J-222X	MG R	2.2kΩ 1/16W J
R1104	NRSA63J-102X	MG R	1kΩ 1/16W J
R1105	NRSA63J-181X	MG R	180Ω 1/16W J
R1106	NRSA63J-270X	MG R	27Ω 1/16W J
R1107	NRSA63J-271X	MG R	270Ω 1/16W J
R1108	NRSA63J-102X	MG R	1kΩ 1/16W J
R1109-11	NRSA63J-101X	MG R	100Ω 1/16W J
R1151	NRSA63J-101X	MG R	100Ω 1/16W J
R1153	NRSA63J-101X	MG R	100Ω 1/16W J
R1155	NRSA63J-101X	MG R	100Ω 1/16W J
R1157	NRSA63J-101X	MG R	100Ω 1/16W J
R1159	NRSA63J-080X	MG R	0.0Ω 1/16W J
R1161	NRSA63J-080X	MG R	0.0Ω 1/16W J
R1301-02	NRSA63J-101X	MG R	100Ω 1/16W J
R1303	NRSA63J-273X	MG R	27kΩ 1/16W J
R1304	NRSA63J-080X	MG R	0.0Ω 1/16W J
R1311	NRSA63J-331X	MG R	330Ω 1/16W J
R1312	NRSA63J-273X	MG R	27kΩ 1/16W J
R1313	NRSA63J-183X	MG R	18kΩ 1/16W J
R1314	NRSA63J-221X	MG R	220Ω 1/16W J
R1315-17	NRSA63J-101X	MG R	100Ω 1/16W J
R1318	NRSA63J-562X	MG R	5.6kΩ 1/16W J
R1319	NRSA63J-183X	MG R	18kΩ 1/16W J
R1321-22	NRSA63J-080X	MG R	0.0Ω 1/16W J
R1401-02	NRSA63J-102X	MG R	1kΩ 1/16W J
R1403-04	NRSA63J-331X	MG R	330Ω 1/16W J
R1405-06	NRSA63J-102X	MG R	1kΩ 1/16W J
R1451	NRSA63J-821X	MG R	820Ω 1/16W J
R1454	NRSA63J-472X	MG R	4.7kΩ 1/16W J
R1455-56	NRSA63J-123X	MG R	12kΩ 1/16W J
R1457	NRSA63J-392X	MG R	3.9kΩ 1/16W J
R1458	NRSA63J-123X	MG R	12kΩ 1/16W J
R1459	NRSA63J-472X	MG R	4.7kΩ 1/16W J
R1461	NRSA63J-123X	MG R	12kΩ 1/16W J
R1462	NRSA63J-153X	MG R	15kΩ 1/16W J
R1463	NRSA63J-124X	MG R	120kΩ 1/16W J
R1464	QRE141J-563Y	C R	56kΩ 1/4W J
R1465-66	NRSA63J-224X	MG R	220kΩ 1/16W J
R1467	NRSA63J-563X	MG R	56kΩ 1/16W J
R1468	NRSA63J-224X	MG R	220kΩ 1/16W J
R1469	NRSA63J-683X	MG R	68kΩ 1/16W J
R1470	NRSA63J-223X	MG R	22kΩ 1/16W J
R1471	NRSA63J-273X	MG R	27kΩ 1/16W J
R1472	NRSA63J-682X	MG R	6.8kΩ 1/16W J
R1473	NRSA63J-123X	MG R	12kΩ 1/16W J
R1474	NRSA63J-563X	MG R	56kΩ 1/16W J
R1475	NRSA63J-153X	MG R	15kΩ 1/16W J
R1476-78	NRSA63J-123X	MG R	12kΩ 1/16W J
R1479	NRSA63J-154X	MG R	150kΩ 1/16W J
R1480	NRSA63J-823X	MG R	82kΩ 1/16W J
R1481	NRSA63J-472X	MG R	4.7kΩ 1/16W J
R1482	NRSA63J-272X	MG R	2.7kΩ 1/16W J
R1483	NRSA63J-472X	MG R	4.7kΩ 1/16W J
R1484	NRSA63J-473X	MG R	47kΩ 1/16W J
R1485	NRSA63J-123X	MG R	12kΩ 1/16W J
R1486	NRSA63J-472X	MG R	4.7kΩ 1/16W J
R1487	NRSA63J-333X	MG R	33kΩ 1/16W J
R1489	NRSA63J-333X	MG R	33kΩ 1/16W J
R1491	NRSA63J-332X	MG R	3.3kΩ 1/16W J
R1492	NRSA63J-562X	MG R	5.6kΩ 1/16W J
R1501	NRSA63J-080X	MG R	0.0Ω 1/16W J
R1504	NRSA63J-102X	MG R	1kΩ 1/16W J

△ Symbol No.	Part No.	Part Name	Description
--------------	----------	-----------	-------------

RESISTOR

R1511	NRSA63J-152X	MG R	1.5kΩ 1/16W J
R1512	NRSA63J-332X	MG R	3.3kΩ 1/16W J
R1521	NRSA63J-223X	MG R	22kΩ 1/16W J
R1522	NRSA63J-562X	MG R	5.6kΩ 1/16W J
R1551	NRSA63J-100X	MG R	10Ω 1/16W J
R1552	NRSA63J-124X	MG R	120kΩ 1/16W J
R1553	NRSA63J-683X	MG R	68kΩ 1/16W J
R1554	NRSA63J-562X	MG R	5.6kΩ 1/16W J
R1555	NRSA63J-333X	MG R	33kΩ 1/16W J
R1556	NRSA63J-472X	MG R	4.7kΩ 1/16W J
R1557	NRSA63J-562X	MG R	5.6kΩ 1/16W J
R1558	NRSA63J-104X	MG R	100kΩ 1/16W J
R1559	NRSA63J-154X	MG R	150kΩ 1/16W J
R1560	NRSA63J-100X	MG R	10Ω 1/16W J
R1561	QRN143J-080X	C R	0.0Ω 1/4W J
R1562	NRSA63J-683X	MG R	68kΩ 1/16W J
R1563	NRSA63J-103X	MG R	10kΩ 1/16W J
R1564	NRSA63J-223X	MG R	22kΩ 1/16W J
R1565	NRSA63J-562X	MG R	5.6kΩ 1/16W J
R1591	NRSA63J-561X	MG R	560Ω 1/16W J
R1592	NRSA63J-332X	MG R	3.3kΩ 1/16W J
R1601	NRSA63J-273X	MG R	27kΩ 1/16W J
R1602	NRSA63J-103X	MG R	10kΩ 1/16W J
R1603	NRSA63J-273X	MG R	27kΩ 1/16W J
R1604	NRSA63J-103X	MG R	10kΩ 1/16W J
R1605	NRSA63J-473X	MG R	47kΩ 1/16W J
R1606	NRSA63J-273X	MG R	27kΩ 1/16W J
R1609	NRSA63J-104X	MG R	100kΩ 1/16W J
R1610	NRSA63J-682X	MG R	6.8kΩ 1/16W J
R1618	NRSA63J-333X	MG R	33kΩ 1/16W J
R1619	NRSA63J-104X	MG R	100kΩ 1/16W J
R1620	NRSA63J-562X	MG R	5.6kΩ 1/16W J
R1631	NRSA63J-562X	MG R	5.6kΩ 1/16W J
R1632-33	NRSA63J-103X	MG R	10kΩ 1/16W J
R1634	NRSA63J-183X	MG R	18kΩ 1/16W J
R1635	NRSA63J-562X	MG R	5.6kΩ 1/16W J
R1636	NRSA63J-103X	MG R	10kΩ 1/16W J
R1637	QRK126J-2R2X	C R	2.2Ω 1/2W J
R1639	NRSA63J-561X	MG R	560Ω 1/16W J
R1642-43	NRSA63J-681X	MG R	680Ω 1/16W J
R1644-46	NRSA63J-104X	MG R	100kΩ 1/16W J
R1647	NRSA63J-183X	MG R	18kΩ 1/16W J
R1648	NRSA63J-562X	MG R	5.6kΩ 1/16W J
R1649	QRK126J-2R2X	C R	2.2Ω 1/2W J
R1650-51	NRSA63J-103X	MG R	10kΩ 1/16W J
R1656	NRSA63J-683X	MG R	68kΩ 1/16W J
R1657	NRSA63J-333X	MG R	33kΩ 1/16W J
R1658	NRSA63J-683X	MG R	68kΩ 1/16W J
R1659	NRSA63J-393X	MG R	39kΩ 1/16W J
R1661	NRSA63J-562X	MG R	5.6kΩ 1/16W J
R1662-63	NRSA63J-394X	MG R	390kΩ 1/16W J
R1664-65	NRSA63J-103X	MG R	10kΩ 1/16W J
R1670-71	NRSA63J-273X	MG R	27kΩ 1/16W J
R1672	NRSA63J-223X	MG R	22kΩ 1/16W J
R1673	NRSA63J-273X	MG R	27kΩ 1/16W J
R1675	NRSA63J-103X	MG R	10kΩ 1/16W J
R1677-78	NRSA63J-103X	MG R	10kΩ 1/16W J
R1679	NRSA63J-223X	MG R	22kΩ 1/16W J
R1680	NRSA63J-273X	MG R	27kΩ 1/16W J
R1681	NRSA63J-562X	MG R	5.6kΩ 1/16W J
R1682	NRSA63J-273X	MG R	27kΩ 1/16W J
R1683	NRSA63J-103X	MG R	10kΩ 1/16W J
R1684-85	NRSA63J-393X	MG R	39kΩ 1/16W J
R1686	NRSA63J-683X	MG R	68kΩ 1/16W J
R1687	NRSA63J-393X	MG R	39kΩ 1/16W J
R1688	NRSA63J-273X	MG R	27kΩ 1/16W J

Symbol No.	Part No.	Part Name	Description
RESISTOR			
R1689	NRSA63J-103X	MG R	10kΩ 1/16W J
R1690	NRSA63J-562X	MG R	5.6kΩ 1/16W J
R1693	NRSA63J-683X	MG R	68kΩ 1/16W J
R1694	NRSA63J-333X	MG R	33kΩ 1/16W J
R1695-96	NRSA63J-273X	MG R	27kΩ 1/16W J
R1699	NRSA63J-103X	MG R	10kΩ 1/16W J
R1701-02	NRSA63J-103X	MG R	10kΩ 1/16W J
R1703-04	NRSA63J-102X	MG R	1kΩ 1/16W J
R1705-08	NRSA63J-103X	MG R	10kΩ 1/16W J
R1711-12	NRSA63J-101X	MG R	100Ω 1/16W J
R1714-15	NRSA63J-102X	MG R	1kΩ 1/16W J
R1716-17	NRSA63J-273X	MG R	0.0Ω 1/16W J
R1720-22	NRSA63J-102X	MG R	1kΩ 1/16W J
R1772-76	NRSA63J-221X	MG R	220Ω 1/16W J
R1951	QRK126J-220X	C R	22Ω 1/2W J

CAPACITOR

C1001	NCB31HK-222X	CHIP CAP.	2200pF 50V K
C1002	QETN1HM-106Z	E CAP.	10μF 50V M
C1004	NCB31CK-104X	CHIP CAP.	0.1μF 16V K
C1005	QETN1CM-108Z	E CAP.	1000μF 16V M
C1006	NCB31HK-103X	C CAP.	0.01μF 50V K
C1007	QETN1HM-106Z	E CAP.	10μF 50V M
C1009	NCB31CK-104X	CHIP CAP.	0.1μF 16V K
C1010	QETN1HM-106Z	E CAP.	10μF 50V M
C1101	NCB31CK-104X	CHIP CAP.	0.1μF 16V K
C1102	QETN1HM-106Z	E CAP.	10μF 50V M
C1103	NCB31CK-104X	CHIP CAP.	0.1μF 16V K
C1104	QETN1CM-107Z	E CAP.	100μF 16V M
C1105	QETN1HM-106Z	E CAP.	10μF 50V M
C1106-07	NCB31CK-104X	CHIP CAP.	0.1μF 16V K
C1108	NDC31HJ-680X	C CAP.	68pF 50V J
C1111	NDC31HJ-820X	C CAP.	82pF 50V J
C1112-13	NDC31HJ-470X	C CAP.	47pF 50V J
C1114	NDC31HJ-180X	C CAP.	18pF 50V J
C1115-16	NCB31HK-472X	C CAP.	4700pF 50V K
C1117-18	NCB31HK-103X	C CAP.	0.01μF 50V K
C1119-20	NDC31HJ-2R0X	C CAP.	2.0pF 50V J
C1121	NCB31HK-103X	C CAP.	0.01μF 50V K
C1122-23	NDC31HJ-102X	C CAP.	1000pF 50V J
C1124-25	QETN1HM-106Z	E CAP.	10μF 50V M
C1126	NCB31CK-104X	CHIP CAP.	0.1μF 16V K
C1127	QETN1HM-106Z	E CAP.	10μF 50V M
C1128	NCB31CK-104X	CHIP CAP.	0.1μF 16V K
C1129	NCF31AZ-105X	C CAP.	1μF 10V Z
C1130	QETN1HM-106Z	E CAP.	10μF 50V M
C1151-54	NCF31AZ-105X	C CAP.	1μF 10V Z
C1155-56	NDC31HJ-102X	C CAP.	1000pF 50V J
C1301	QETN1CM-107Z	E CAP.	100μF 16V M
C1302-03	NCB31CK-104X	CHIP CAP.	0.1μF 16V K
C1305-09	NCB31CK-104X	CHIP CAP.	0.1μF 16V K
C1310	QETN1AM-228Z	E CAP.	2200μF 10V M
C1311	NCB31CK-683X	CHIP CAP.	0.068μF 16V K
C1312	NDC31HJ-221X	C CAP.	220pF 50V J
C1313-15	NCB31HK-223X	CHIP CAP.	0.022μF 50V K
C1316-18	NCB31HK-103X	C CAP.	0.01μF 50V K
C1320	QETN0JM-228Z	E CAP.	2200μF 6.3V M
C1321-23	NCB31HK-223X	CHIP CAP.	0.022μF 50V K
C1324	NDC31HJ-820X	C CAP.	82pF 50V J
C1351	QENC1EM-106Z	BP E CAP.	10μF 25V M
C1401	NCB31CK-104X	CHIP CAP.	0.1μF 16V K
C1402	QETN1CM-107Z	E CAP.	100μF 16V M
C1403-04	NCB31CK-104X	CHIP CAP.	0.1μF 16V K
C1453	NCB31HK-103X	C CAP.	0.01μF 50V K
C1454	NCB31EK-333X	CHIP CAP.	0.033μF 25V K
C1455-56	NCB31CK-104X	CHIP CAP.	0.1μF 16V K
C1457	NCB31EK-333X	CHIP CAP.	0.033μF 25V K
C1458	QFV71HJ-104Z	MF CAP.	0.1μF 50V J
C1471	NCB31CK-104X	CHIP CAP.	0.1μF 16V K
C1472	NCB31HK-103X	C CAP.	0.01μF 50V K
C1473	NCB31CK-104X	CHIP CAP.	0.1μF 16V K

Symbol No.	Part No.	Part Name	Description
CAPACITOR			
C1474	NCB31EK-333X	CHIP CAP.	0.033μF 25V K
C1475	NCB31CK-104X	CHIP CAP.	0.1μF 16V K
C1491	NCB31EK-473X	CHIP CAP.	0.047μF 25V K
C1501-02	NDC31HJ-150X	C CAP.	150pF 50V J
C1521	NCB31HK-103X	C CAP.	0.01μF 50V K
C1551-52	NCF31CZ-224X	C CAP.	0.22μF 16V Z
C1553	QETN1EM-476Z	E CAP.	47μF 25V M
C1554-55	NCF31CZ-224X	C CAP.	0.22μF 16V Z
C1560	QETN1CM-107Z	E CAP.	100μF 16V M
C1561	NDC31HJ-561X	C CAP.	560pF 50V J
C1562	QETN1HM-105Z	E CAP.	1μF 50V M
C1564	QFV71HJ-104Z	MF CAP.	0.1μF 50V J
C1591	NDC31HJ-471X	C CAP.	470pF 50V J
C1606-07	QETN1CM-227Z	E CAP.	220μF 16V M
C1613	NCF21CZ-105X	C CAP.	1μF 16V Z
C1614	QETN1EM-476Z	E CAP.	47μF 25V M

C1615	NCF21CZ-105X	C CAP.	1μF 16V Z
C1616	QETN1HM-105Z	E CAP.	1μF 50V M
C1618	QETN1HM-105Z	E CAP.	1μF 50V M
C1626	QETN1EM-476Z	E CAP.	47μF 25V M
C1628	QETN1HM-107Z	E CAP.	100μF 50V M
C1629	QETN1HM-106Z	E CAP.	10μF 50V M
C1630	NCF21HZ-224X	C CAP.	0.22μF 50V Z
C1632	NCF21HZ-224X	C CAP.	0.22μF 50V Z

C1634	QETN1HM-228	E CAP.	2200μF 50V M
C1638-39	QETN1HM-105Z	E CAP.	1μF 50V M
C1641-42	NCF21HZ-224X	C CAP.	0.22μF 50V Z
C1646-47	NCB31HK-103X	C CAP.	0.01μF 50V K
C1648-49	QETN1VM-108	E CAP.	1000μF 35V M
C1657	NCB31HK-103X	C CAP.	0.01μF 50V K
C1658	NDC31HJ-100X	C CAP.	10pF 50V J
C1661-63	NCB31CK-104X	CHIP CAP.	0.1μF 16V K
C1664-65	NCB31HK-222X	CHIP CAP.	2200pF 50V K
C1666-67	NCF31AZ-105X	C CAP.	1μF 10V Z
C1671	QETN1EM-476Z	E CAP.	47μF 25V M
C1672	QETN1HM-226Z	E CAP.	22μF 50V M
C1673-74	NCF31AZ-105X	C CAP.	1μF 10V Z
C1675	QETN1EM-476Z	E CAP.	47μF 25V M
C1678-79	NDC31HJ-100X	C CAP.	10pF 50V J
C1680	NCF31AZ-105X	C CAP.	1μF 10V Z

C1681	NCB31HK-332X	CHIP CAP.	3300pF 50V K
C1682	NCB31EK-333X	CHIP CAP.	0.033μF 25V K
C1683	QETN1EM-476Z	E CAP.	47μF 25V M
C1684	NCB31HK-332X	CHIP CAP.	3300pF 50V K
C1685	NCB31EK-333X	CHIP CAP.	0.033μF 25V K
C1686	NCF31AZ-105X	C CAP.	1μF 10V Z
C1687	QETN1HM-106Z	E CAP.	10μF 50V M
C1688	QETN1EM-476Z	E CAP.	47μF 25V M

C1689	NCB31CK-104X	CHIP CAP.	0.1μF 16V K
C1691	NCB31EK-393X	CHIP CAP.	0.039μF 25V K
C1692	NDC31HJ-100X	C CAP.	10pF 50V J
C1693-94	QETN1EM-476Z	E CAP.	47μF 25V M
C1695	NCF31AZ-105X	C CAP.	1μF 10V Z
C1696	NCB31EK-393X	CHIP CAP.	0.039μF 25V K
C1697	NCB31HK-103X	C CAP.	0.01μF 50V K
C1698	NCF31AZ-105X	C CAP.	1μF 10V Z

C1699	NCB31HK-103X	C CAP.	0.01μF 50V K
C1701	QETN1HM-106Z	E CAP.	10μF 50V M
C1702	NCB31CK-563X	CHIP CAP.	0.056μF 16V K
C1951	QETN1CM-477Z	E CAP.	470μF 16V M
C1952-53	NCB31CK-104X	CHIP CAP.	0.1μF 16V K
C1954	QETN1AM-477Z	E CAP.	470μF 10V M
C1955	QETN1AM-227Z	E CAP.	220μF 10V M
C1956	QETN1AM-107Z	E CAP.	100μF 10V M

COIL

L1001	QQL244K-270Z	PEAKING COIL	
L1002-03	QQL244K-100Z	COIL	10μH K
L1004	NQLO92K-100X	INDUCTOR	
L1101	QRN143J-0R0X	C R	0.0Ω 1/4W J
L1102	QQL244K-4R7Z	COIL	4.7μH K

Symbol No.	Part No.	Part Name	Description
COIL			
L1111	QQL244K-220Z	PEAKING COIL	
L1112	QQL244K-180Z	COIL	18µH K
L1301-02	NQL092K-1R5X	CHIP INDUCTOR	
L1951	QQL26AM-5R6Z	CHOKO COIL	
DIODE			
D1317-18	MA111-X	SI. DIODE	
D1471-74	MA111-X	SI. DIODE	
D1521	MA111-X	SI. DIODE	
D1591	MA111-X	SI. DIODE	
D1592	MA3051/M/-X	ZENER DIODE	
D1602	MA111-X	SI. DIODE	
D1610-11	MA111-X	SI. DIODE	
D1614-15	MA111-X	SI. DIODE	
D1617	MA111-X	SI. DIODE	
D1619-20	MA3330/L/-X	ZENER DIODE	
D1626-27	MA3150/M/-X	ZENER DIODE	
D1771-74	MA3056/M/-X	ZENER DIODE	
D1951	1SR35-400A-T5	SI. DIODE	
D1981-82	MA111-X	SI. DIODE	
TRANSISTOR			
Q1101-02	2SC2412K/QR/-X	SI. TRANSISTOR	
Q1471-72	2SC2412K/QR/-X	SI. TRANSISTOR	
Q1561	2SC2412K/QR/-X	SI. TRANSISTOR	
Q1562	2SA1037AK/QR/-X	SI. TRANSISTOR	
Q1601-02	2SA1037AK/QR/-X	SI. TRANSISTOR	
Q1604-05	DTC124EKA-X	DIGI. TRANSISTOR	
Q1606	2SC2412K/QR/-X	SI. TRANSISTOR	
Q1607	DTA124EKA-X	DIGI. TRANSISTOR	
Q1615	2SA1037AK/QR/-X	SI. TRANSISTOR	
Q1616-17	DTC323TK-X	DIGI. TRANSISTOR	
IC			
IC1101	MSP3415DQGB3GHX	I. C. (MONO-ANA)	
IC1301	SDA9380	I C	
IC1402	BA10324AF-XE	I C	
IC1471	UPC358G2-XE	I. C. (MONO-ANA)	
IC1551	LA6515	I. C. (MONO-ANA)	
IC1601	TA8246AH	I. C. (HYBRID)	
IC1604	BA4558F-X	I. C. (MONO-ANA)	
IC1661	BD3869F-X	IC	
IC1662	BA4558F-X	I. C. (MONO-ANA)	
IC1663	NJM2150AM-X	I. C. (MONO-ANA)	
IC1665	BA10324AF-XE	I C	
IC1701	JLC1562BF-X	I. C. (DIGI-MOS)	
IC1951	BA09T	I. C. (MONO-ANA)	
IC1952	BA08T	I. C. (MONO-ANA)	
OTHERS			
TU1001	QAU0188-003	TUNER	
LC1102	NQR0431-001X	EMI FILTER	
LC1301-03	NQR0431-001X	EMI FILTER	
J1001	QNN0296-001	PIN JACK	
K1001	NQR0389-003X	FERRITE BEADS	
K1101-02	NQR0389-003X	FERRITE BEADS	
K1301	NQR0413-003X	CHIP BEADS	
K1601-02	CE42681-001Y	BEADS CORE	
X1101	CE42546-001Z	CRYSTAL	
X1501	QAX0549-001Z	CRYSTAL	
Y1612-13	NCF21C2-105X	C CAP.	1µF 16V Z
Y1677-78	NRS463J-101X	MG R	100Ω 1/16W J

POWER & DEF. P.W. BOARD ASS'Y (SMF-2002A-U2)

Refer to PARTS LIST in page 38 for this P.W. board.

CRT SOCKET P.W. BOARD ASS'Y (SMF-3001A-U2)

Refer to PARTS LIST in page 40 for this P.W. board.

FRONT CONTROL P.W. BOARD ASS'Y (SMF-8008A-U2)

Refer to PARTS LIST in page 41 for this P.W. board.

SIDE CONTROL P.W. BOARD ASS'Y (SMF-8108A-U2)

Refer to PARTS LIST in page 41 for this P.W. board.

MICON P.W. BOARD ASS'Y (SMF0M001A-U2)

Refer to PARTS LIST in page 42 for this P.W. board.

AV SW P.W. BOARD ASS'Y (SMF0S001A-U2)

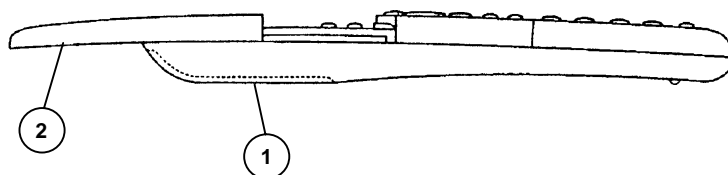
Refer to PARTS LIST in page 43 for this P.W. board.

100Hz P.W. BOARD ASS'Y (SMF0Z003A-U2)

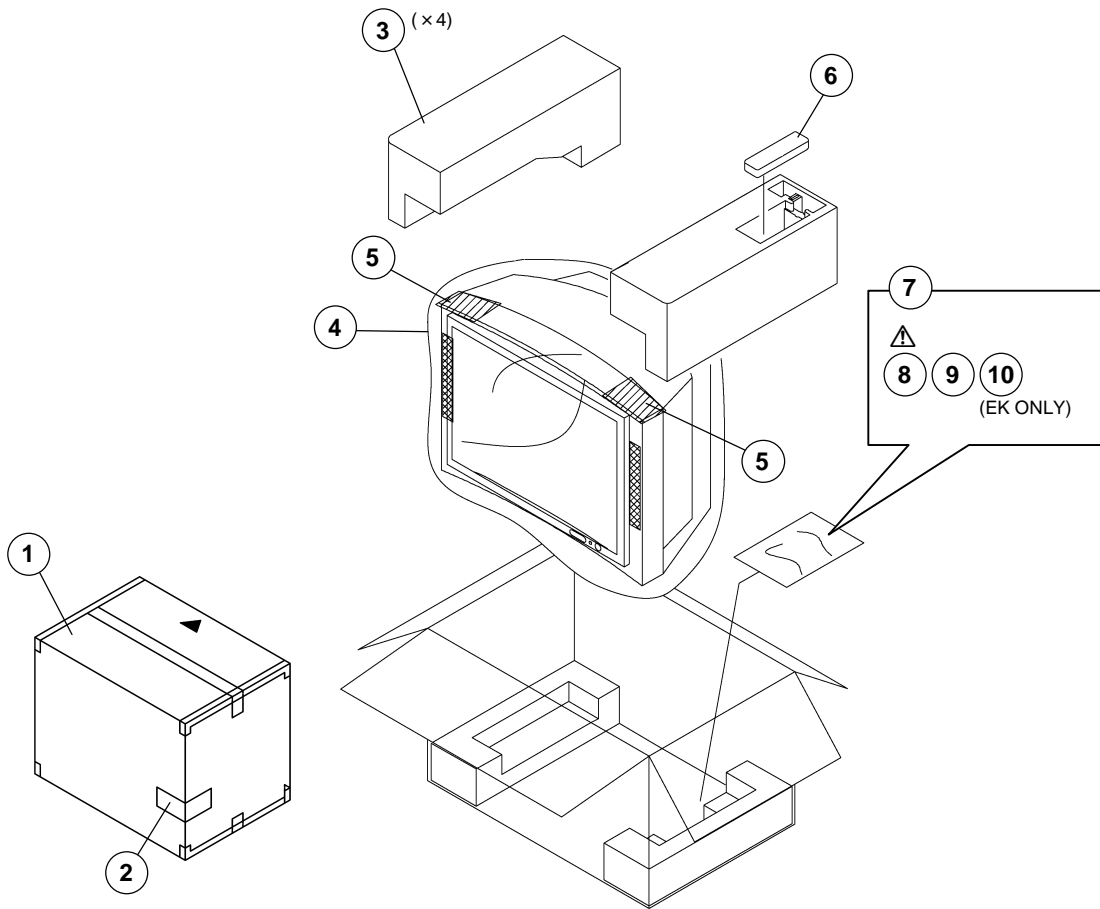
Refer to PARTS LIST in page 44 for this P.W. board.

REMOTE CONTROL UNIT PARTS LIST (RM-C56-2C)

△ Ref.No.	Part No.	Part Name	Description
1	2AA030740	BATTERY COVER	
2	2AA030734	SLIDE COVER	



PACKING



PACKING PARTS LIST

△ Ref.No.	Part No.	Part Name	Description
AV32L5EKG			
1	AEM1002-B71-E	PACKING CASE	
2	AEM1052-021-E	EURO LABEL	
3	LC10859-002A-U	CUSHION ASSY	4pcs in 1set
4	AEM1047-002-E	FORM BAG	
5	AEM4091-001A-U	PROTECT SHEET	2pcs in 1set
6	RM-C56-2C	REMOCON UNIT	
7	AEM3021-002-E	DOCUMENT BAG	
△ 8	LCT0909-001A-U	INST BOOK	
9	BT-54013-1E	WARRANTY CARD	
10	AEM3148-001-E	REG SHEET	
AV32L5EIGY			
1	AEM1002-B71-E	PACKING CASE	
2	AEM1052-020-E	EURO LABEL	
3	LC10859-002A-U	CUSHION ASSY	4pcs in 1set
4	AEM1047-002-E	FORM BAG	
5	AEM4091-001A-U	PROTECT SHEET	2pcs in 1set
6	RM-C56-2C	REMOCON UNIT	
7	AEM3021-002-E	DOCUMENT BAG	
△ 8	LCT0910-001A-U	INST BOOK	
9	BT-54013-1E	WARRANTY CARD	

Memo
